



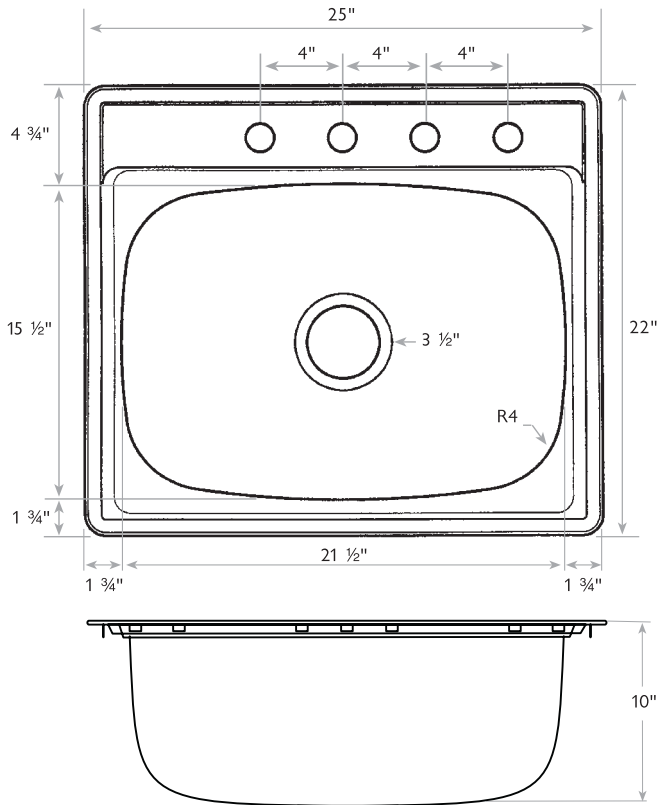
3050 Campus Drive, Suite 500 • Hatfield, PA 19440  
Customer Service: 1.800.626.5771

- 18-8 Stainless Steel
- Sound Deadening Pad
- Integrated Installation Rails
- Limited Lifetime Buyer Warranty



Fits 27" Cabinet

Model #	Faucet Holes	Finish Deck/Bowl	Bowl Size ↕ X ↔	Sink Depth	Overall Dimension	Gauge	Cutout Dimension
S2225/10K/1	1	Silk/Silk	15 1/2" x 21 1/2"	10"	22" x 25"	20	21 1/4" x 24 1/4"
S2225/10K/3	3						
S2225/10K/4	4						



JOB NAME: \_\_\_\_\_

DATE: \_\_\_\_\_

CUSTOMER: \_\_\_\_\_

MODEL SPECIFIED: \_\_\_\_\_

QUANTITY: \_\_\_\_\_

ARCHITECT/ENGINEER: \_\_\_\_\_

CONTRACTOR: \_\_\_\_\_