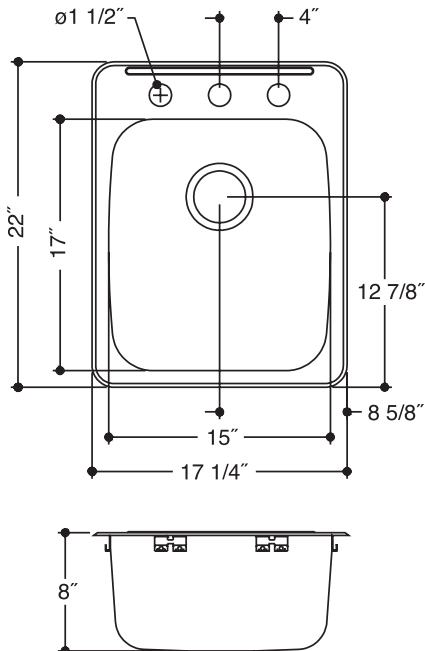


- **18-8 Stainless Steel**
- **Fully Undercoated**
- **Factory Applied Rim Seal**
- **Limited Lifetime Buyer Warranty**



Fits 21" Cabinet

Model #	Faucet Holes	Finish Deck/Bowl	Bowl Size ↕ X ↔	Sink Depth	Overall Dimension	Gauge	Cutout Dimension
S2217/80ML/1	1	Mirror/Lustre	17" x 15"	8"	22" x 17 1/4"	20	21" x 16 1/4"
S2217/80ML/3	3						



JOB NAME: _____

DATE: _____

CUSTOMER: _____

MODEL SPECIFIED: _____

QUANTITY: _____

ARCHITECT/ENGINEER: _____

CONTRACTOR: _____