

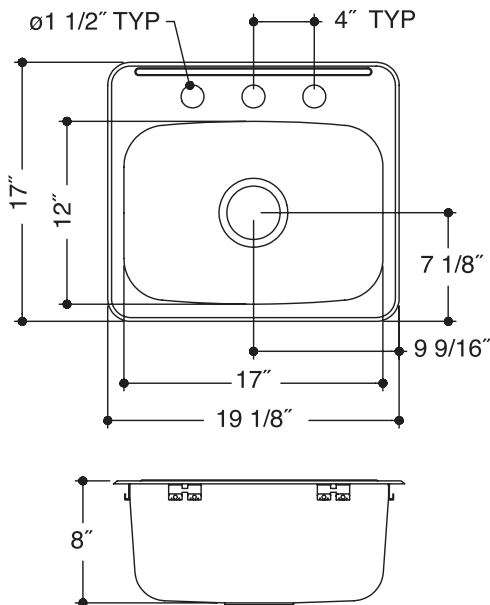
- 18-8 Stainless Steel
- Fully Undercoated
- Factory Applied Rim Seal
- Limited Lifetime Buyer Warranty



Fits 21" Cabinet

Model #	Faucet Holes	Finish Deck/Bowl	Bowl Size ↕ × ↔	Sink Depth	Overall Dimension	Gauge	Cutout Dimension
S1719/80ML/1	1	Mirror/Lustre	12" x 17"	8"	17" x 19 1/8"	20	16" x 18 1/8"
S1719/80ML/2*	2						
S1719/80ML/3	3						

*The 2 hole model has each hole offset 2" on center from the center line of the sink.



JOB NAME: _____

DATE: _____

CUSTOMER: _____

MODEL SPECIFIED: _____

QUANTITY: _____

ARCHITECT/ENGINEER: _____

CONTRACTOR: _____