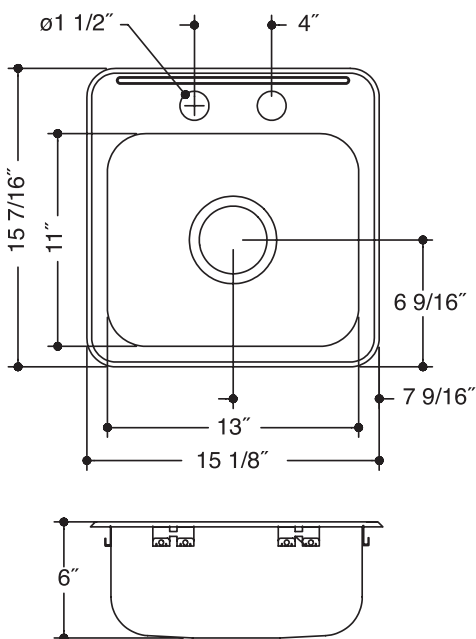


- **18-8 Stainless Steel**
- **Fully Undercoated**
- **Factory Applied Rim Seal**
- **Limited Lifetime Buyer Warranty**



Fits 18" Cabinet

Model #	Faucet Holes	Finish Deck/Bowl	Bowl Size ↕ X ↔	Sink Depth	Overall Dimension	Gauge	Cutout Dimension
S1515/60ML/1	1	Mirror/Lustre	11" x 13"	6"	15 7/16" x 15 1/8"	20	Refer To Template
S1515/60ML/2	2						



JOB NAME: _____

DATE: _____

CUSTOMER: _____

MODEL SPECIFIED: _____

QUANTITY: _____

ARCHITECT/ENGINEER: _____

CONTRACTOR: _____