



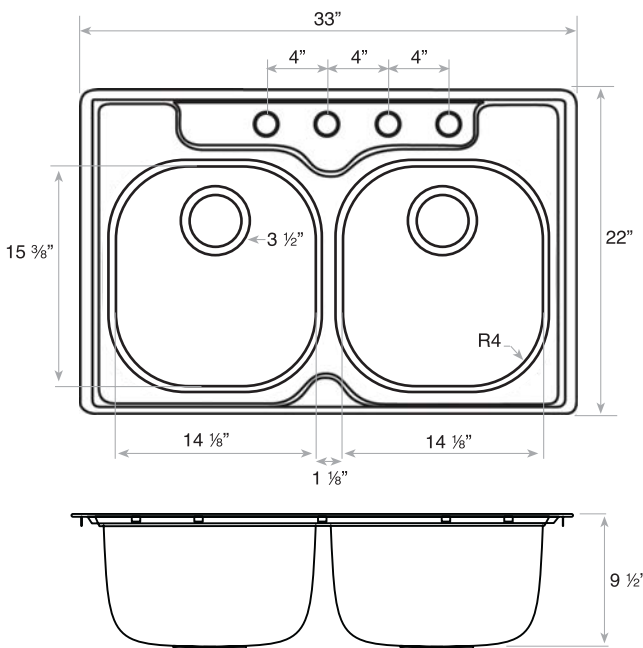
3050 Campus Drive, Suite 500 • Hatfield, PA 19440
 Customer Service: 1.800.626.5771

- **18-8 Stainless Steel**
- **Sound Deadening Pads**
- **Integrated Installation Rails**
 With pre-attached clips
- **Limited Lifetime Buyer Warranty**



Fits 36" Cabinet

Model #	Faucet Holes	Finish Deck/Bowl	Bowl Size ↕ X ↔	Sink Depth	Overall Dimension	Gauge	Cutout Dimension
D2233/95K/1	1	Silk	15 3/8" x 14 1/8"	9 1/2"	22" x 33"	20	21 1/4" x 32 1/4" 1" Radius
D2233/95K/3	3						
D2233/95K/4	4						
D2233/95K/1E	1	Silk				18	
D2233/95K/3E	3						
D2233/95K/4E	4						
D2233/95MK/1E	1	Mirror/Silk				18	
D2233/95MK/3E	3						
D2233/95MK/4E	4						



JOB NAME: _____

DATE: _____

CUSTOMER: _____

MODEL SPECIFIED: _____

QUANTITY: _____

ARCHITECT/ENGINEER: _____

CONTRACTOR: _____