

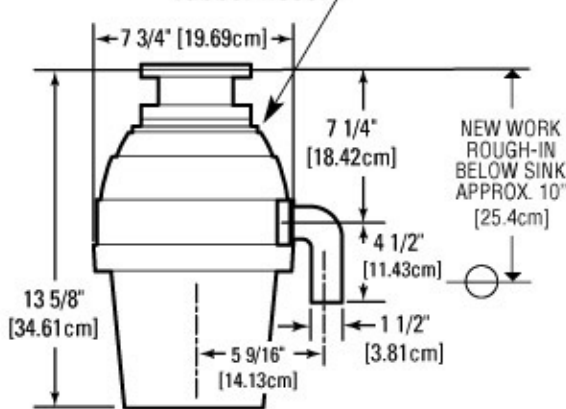


KWD50A FEATURES

- Continuous Feed
- Five Year In-Home Service Warranty
- Stainless Steel Grinding Components
- EZ Mount Installation System
- Factory Installed Power Cord
- Sound Dampening Shell

DIMENSIONS

Knock-out for dishwasher drain connector sized for 7/8" [2.22cm] I.D. rubber hose.



SPECIFICATIONS

Motor Horsepower	1/2 H.P.
Motor Speed R.P.M.	2600
Voltage	115
Hz	60
Current-Amps	4.5
Motor Type	Permanent Magnet
Power Cord	Attached
Sink Flange	Stainless Steel
Stopper	Positive Seal
Waste Elbow	ABS
Feed	Continuous
Grind Ring	Stainless Steel
Swivel Impellers	Stainless Steel
Turntable	Stainless Steel
Hopper	Glass Filled Nylon
Grinding Chamber	Corrosion Proof Glass Filled Polyester
Bearings	Permanently Lubricated; Sleeve Type
Overload Protector	Manual Reset Type
Sound Shell	Yes-Foam Insulated
Shipping Weight (lbs.)	10.7 [4.9 kg]



Due to continued product improvement, system configurations and specifications may change without notice.