

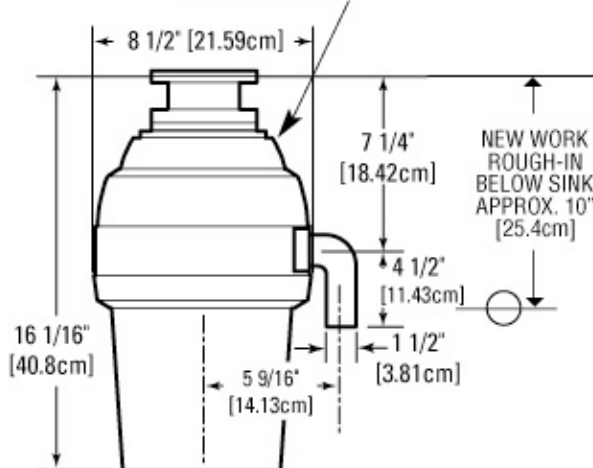


KWD100A FEATURES

- Continuous Feed
- Ten Year In-Home Service Warranty
- Stainless Steel Grinding Components
- EZ Mount Installation System
- Factory Installed Power Cord
- Sound Dampening Shell

DIMENSIONS

Knock-out for dishwasher drain connector sized for 7/8" [2.22cm] I.D. rubber hose.



SPECIFICATIONS

| | |
|------------------------|--|
| Motor Horsepower | 1 H.P. |
| Motor Speed R.P.M. | 2800 |
| Voltage | 115 |
| Hz | 60 |
| Current-Amps | 7.0 |
| Motor Type | Permanent Magnet |
| Power Cord | Attached |
| Sink Flange | Stainless Steel |
| Stopper | Positive Seal |
| Waste Elbow | ABS |
| Feed | Continuous |
| Grind Ring | Stainless Steel |
| Swivel Impellers | Cast Stainless Steel |
| Turntable | Stainless Steel |
| Hopper | Glass Filled Nylon |
| Grinding Chamber | Corrosion Proof Glass Filled Polyester |
| Bearings | Permanently Lubricated; Sleeve Type |
| Overload Protector | Manual Reset Type |
| Sound Shell | Yes-Foam Insulated |
| Shipping Weight (lbs.) | 15.4 [7.0 kg] |



Due to continued product improvement, system configurations and specifications may change without notice.