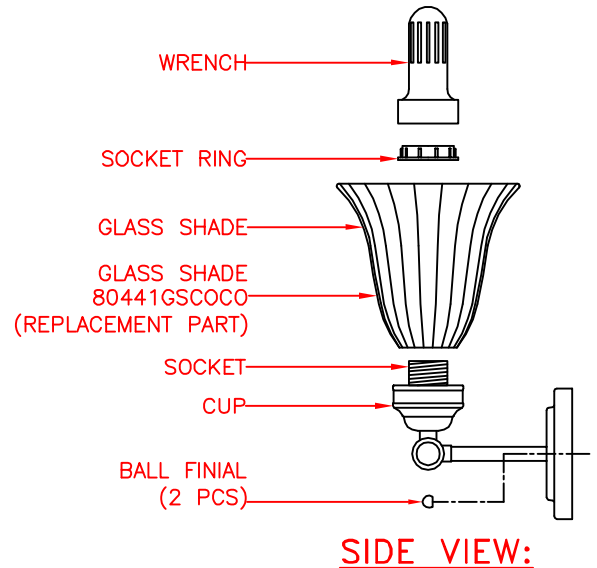
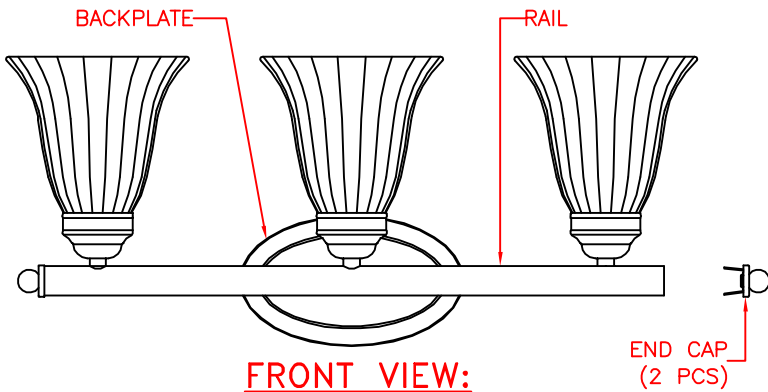


AVAILABLE PART IS:
80441GSCOCO (GLASS SHADE)



PRODUCT SPECIFICATIONS

OVERALL ASSEMBLED DIMENSIONS

HEIGHT: 25 CM (9-7/8"), WIDTH: 59.6 CM (23-1/2"), EXTENSION: 20.3 CM (8").

3 LIGHTS: UL LISTED. 100 WATT. MEDIUM BASE E-26 CERAMIC SOCKET. (3) METAL SOCKET RINGS AND WRENCH ARE PROVIDED.

BACKPLATE: PAINTED METAL, 19.3 CM (7-5/8") LENGTH x 11.2 CM (4-3/8") WIDTH x 2.2 CM (7/8") HEIGHT. (2) HOLES IN BACKPLATE FOR MOUNTING SCREWS TO PASS THROUGH. SHAPED AS SHOWN.

CUP: PAINTED METAL, 6.1 CM (2-3/8") DIA. x 3.9 CM (1-1/2") HEIGHT, SHAPED AS SHOWN.

GLASS SHADE: AMBER SCAVO GLASS SHADE, 15.8 CM (6-1/4") DIA. x 14.1 CM (5-1/2") HEIGHT. SHAPED AS SHOWN. GLASS SHADE SHOULD FIT SNUGLY AND STRAIGHT WHEN ATTACHED.

RAIL: PAINTED METAL, 2.5 CM (1") DIA. TUBING, 53.9 CM (21-1/4") LENGTH, SHAPED AS SHOWN.

SUPPLY WIRE: UL LISTED. 18 AWG, 105', MUST EXTEND A MINIMUM OF 15.2 CM (6") PAST CENTER OF BACKPLATE. WIRES MUST BE LEAD FREE.

LABELS: UL AND CSA OR CUL, MANUFACTURING DATE, MODEL # AND COUNTRY OF ORIGIN LABELS PROVIDED ON INSIDE OF BACKPLATE. RELAMPING LABEL FOR 100 WATT TYPE "A" BULB PROVIDED ON INSIDE OF CUP. RELAMPING LABELS ARE NOT ALLOWED TO BE PLACED ON THE OUTSIDE OF THE PRODUCT OR CUP.

PACKAGING AND SHIPPING

THE ITEM IS DISASSEMBLED FOR SHIPPING AS SHOWN. EACH PART IS SECURED SO THEY CAN NOT MOVE DURING SHIPPING.

HARDWARE PACK #005 PROVIDED. ENTIRE FIXTURE IS COVERED IN A CLOSED PLASTIC BAG WITH A SMALL BAG OF SILICA INSIDE.

THE CARTON IS MADE OF DOUBLE WALL, CORRUGATED CARDBOARD "A MA A". BROWN IN COLOR. THE INNER PACKING IS DIE-CUT CARDBOARD OR STYROFOAM TO PROTECT AND SECURE THE LAMP AND MUST PASS THE FEDEX DROP TEST REQUIREMENTS.

EACH CARTON SHALL BE PRINTED WITH A LINE DRAWING AND THE KENROY HOME NAME AND LOGO, MODEL NUMBER, SKU NUMBER AND FINISH, EACH CARTON SHALL BE PROVIDED A UPC LABEL. THE UPC BAR CODE AS FOLLOWS: COCO=053392094744.

OTHER DETAILS:

ENTIRE BACKPLATE ASSEMBLY MUST SIT FLUSH AGAINST WALL SURFACE.

ALL VISIBLE PARTS MUST MATCH FIXTURE FINISH UNLESS OTHERWISE SPECIFIED.

MODEL 80443COCO INSTRUCTIONS ARE TO BE PRINTED CLEARLY ON QUALITY PAPER AND PACKED WITH EACH FIXTURE.

ALL BAGS MUST BE LABELED WITH OFFICIAL "THIS BAG IS NOT A TOY" STATEMENT.

ASSEMBLY TIME: 10 MINUTES. THE UL NUMBER IS E127416.

DIMS OF UNIT BOX: 59.7 CM (23-1/2") LENGTH x 21.6 CM (8-1/2") WIDTH x 29.8 CM (11-3/4") HEIGHT.

DIMS OF MASTER BOX: 61.6 CM (24-1/4") LENGTH x 45.7 CM (18") WIDTH x 63.5 CM (25") HEIGHT. (4 PCS/CTN)

NET WEIGHT (UNIT): 5.7 LBS. GROSS WEIGHT (UNIT): 8.4 LBS.

NET WEIGHT (MASTER): 22.9 LBS. GROSS WEIGHT (MASTER): 40.8 LBS.

**KENROY
HOME**

11660 CENTRAL PARKWAY
JACKSONVILLE, FL. 32224
PHONE: 904-642-4340
FAX: 904-642-4150

THIS DOCUMENT AND THE INFORMATION THAT IT DISCLOSES IS THE EXCLUSIVE PROPERTY OF KENROY HOME. ANY REPRODUCTION OR USE OF THIS DRAWING IN PART OR IN WHOLE, WITHOUT THE EXPRESS CONSENT OF THE PROPRIETOR IS PROHIBITED. © 2008 KENROY HOME.

DATE: 7/15/2008

SCALE: NONE

DRAWN BY: JAMES

REFERENCE: SAN SOUCI 3LT WALL VANITY

REVISION DATE:

REVISION DATE:

REVISION DATE:

APPROVAL:

MODEL #:

80443

FINISH: COCO

PAGE: 1 OF: 1