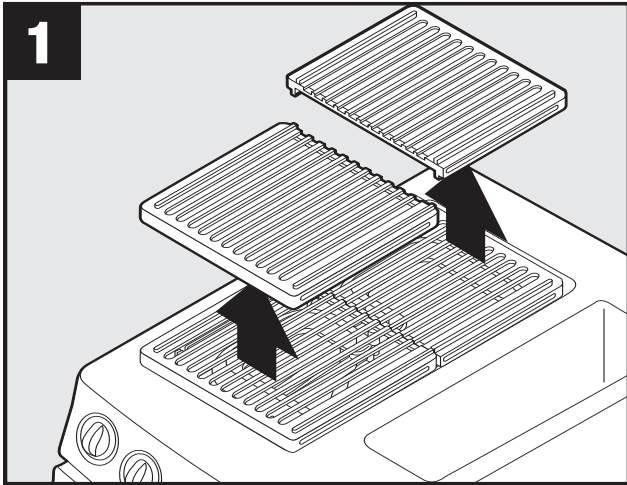
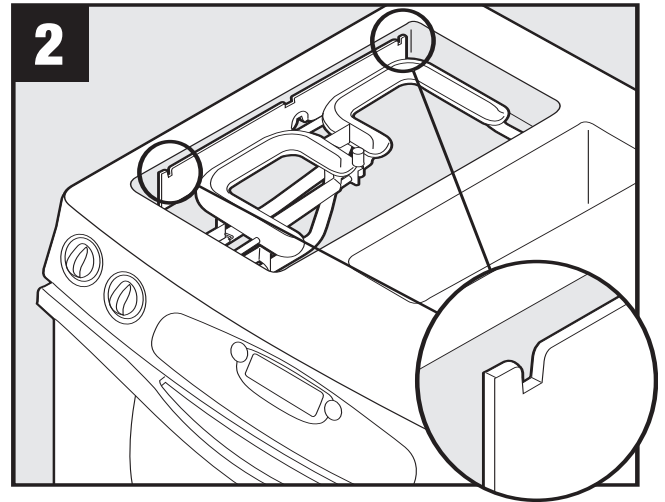


JENN-AIR

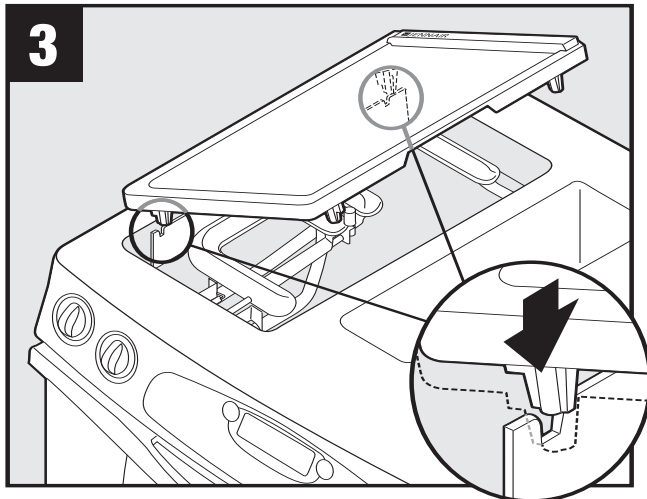
Griddle Installation instructions



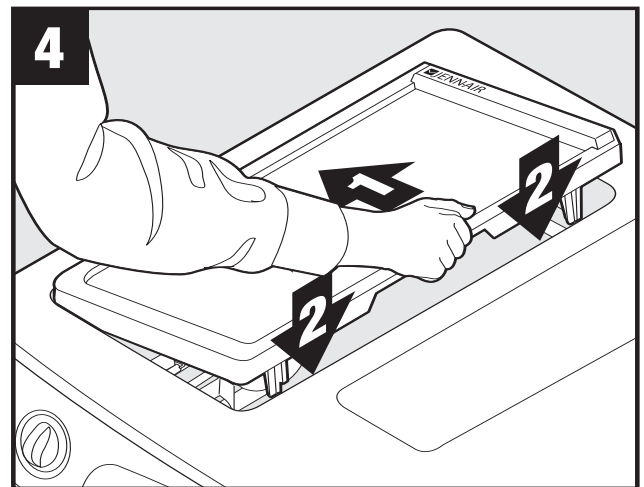
Remove grates and expose E-burner



Locate notches in E-burner side



Position griddle feet in notches of E-burner side



Gently apply pressure to the E-burner side while lowering griddle into place