



Features:

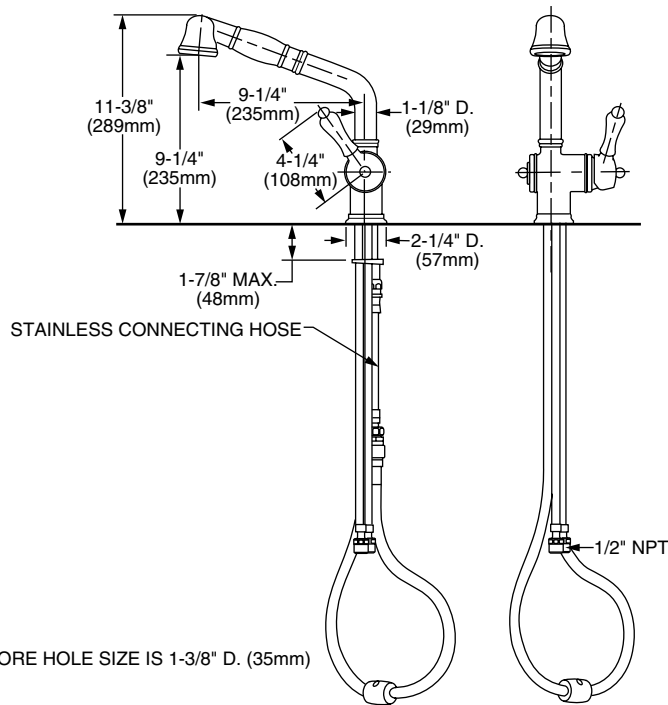
- Ceramic disc valve cartridge
- 9-1/4" Swing Spout
- Pullout Spray
- All Metal Hose
- 10" Cover plate available separately

Maximum Flow Rate: 2.2 GPM (8.3L/min)

	Handle Type	Product Number
Single Lever Pullout Kitchen Faucet	Lever	850/850
10" Cover Plate - 1-Hole		874/022



Available Finishes:	Finish Code
Polished Chrome	100
Old Bronze	105
Antique Copper	106
Brushed Nickel	144
UltraSteel (PVD)	355
Antique Nickel	444



IMPORTANT: These measurements are subject to change or cancellation. No responsibility is assumed for use of superseded or voided pages.

CODES & STANDARDS

These products meet and exceed the following codes and standards:

ASME A112.18.1

CSA B125

NSF 61/Section 9



Meets the American Disabilities Act Guidelines and **ANSI A117.1** Requirements for the physically challenged.

