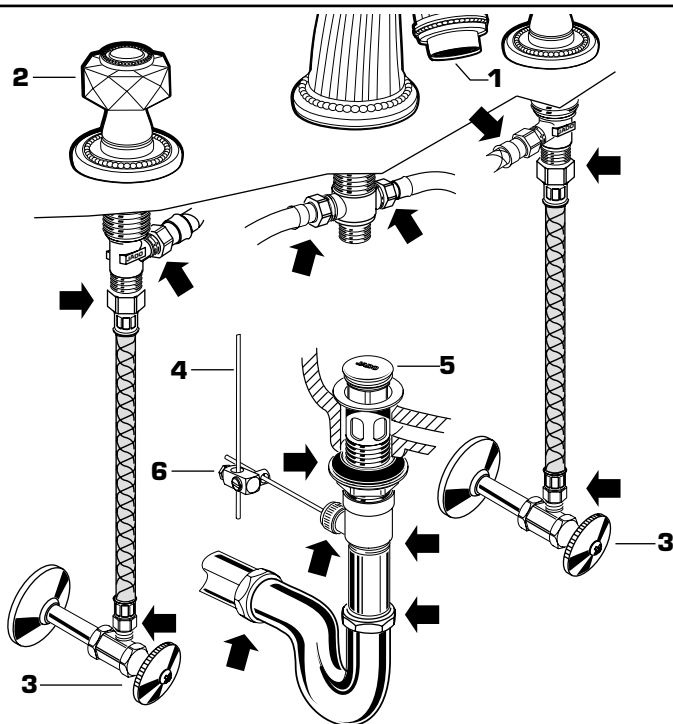


## 6 TEST INSTALLED FAUCET AND CONNECTIONS FOR LEAKS

- Remove AERATOR (1) from faucet.
- With HANDLES (2) in OFF position, turn on WATER SUPPLIES (3) and check all connections for leaks.
- Operate both HANDLES (2) to flush water lines thoroughly.
- Operate LIFT ROD (4) and fill lavatory with water. Check that DRAIN STOPPER (5) makes a good seal and retains water in lavatory. Adjust stopper height by repositioning Lift Rod (4) and tightening SET SCREW (6).
- Release DRAIN STOPPER (5) and check all drain connections and "P" trap for leaks. Tighten if necessary.
- Replace AERATOR (1).



## 7 HELPFUL HINTS FOR CLEANING AND MAINTENANCE

*The solid brass product you have just purchased has been designed to give you years of beauty and service. It is important to bring to your attention proper care and maintenance procedures, which will ensure its lasting beauty.*

- First and foremost, it is important (as it is with any fine piece of jewelry or furniture) that the product be wiped clean and dry with a soft damp cloth after every use.
- Second, under no circumstances should an abrasive cleaner or combination cleaner/polish be used on JADO products. The abrasive nature of such products will eventually destroy the finish and void the warranty.
- In the event of stubborn blemishes shown on the finish, we recommend use of Windex window cleaner with a soft cloth, but we do not recommend it be used on an everyday basis.
- It is important to note that it is normal to expect signs of usage over time.

**Thank you for selecting JADO for your home.**

### TO THE PURCHASER OF JADO BRASS PRODUCTS

**Attention installer:**  
Please leave This Pamphlet for The Owner

**NOTICE: JADO products conform to industry requirements of water conservation under the ASTM / ANSI A112.18.1M-1994 plumbing code. Lavatory, bidet, wet bar and kitchen faucet sets have a maximum flow rate of 2.2GPM. Shower heads, hand showers and body sprays have a maximum flow rate of 2.5GPM.**

The state of California has mandated under Proposition #65 that manufacturers of products, including faucets which come into contact with potable water, must warn the consumer if the product contains materials listed by the state as a carcinogen or reproductive toxin. Lead, which is contained in all brass faucets in limited amounts appears on the State's list.

Preliminary industry tests have indicated that users of faucets made from brass face no significant danger, however, California Proposition #65 requires that we provide you with the following notice:

*Warning: This product contains an element known to the State of California to cause cancer of reproductive harm.*

JADO BATHROOM AND HARDWARE MFG. CORP.  
7845 East Paradise Lane  
Scottsdale, AZ 85260

#### JADO FAUCET LIFETIME FUNCTION AND FINISH LIMITED WARRANTY

JADO Bathroom & Hardware Manufacturing Corp. provides the following warranties only to the first residential owner of our products.

**FINISHES**  
JADO warrants this product to be free from defects in materials or workmanship for as long as the original consumer purchaser owns their home.

JADO will provide, free of charge, at its sole option, replacement part(s) or product (or if no longer available, a comparable product) to replace those which have proven defective in materials or workmanship. Proof of purchase (original sales receipt) from the original consumer purchaser must be made available to JADO for all limited warranty claims. This limited warranty is non transferable. It does not apply in the event of product damage due to the use of other than genuine JADO replacement parts, installation error, abuse, misuse, or improper care and maintenance (whether performed by a plumber, contractor, service provider or member of the purchaser's household). The limited warranty excludes damage due to aggressive air or water conditions, or harsh or abrasive cleaners and/or materials. This limited warranty excludes all industrial, commercial and business usage, whose purchasers are hereby extended a two year limited warranty (with the exception of solenoid valves and other electronic components which carry a one year limited warranty) applying to all other terms of this limited warranty except duration. This limited warranty does not cover labor charges incurred and/or damages sustained in installation, repair or replacement, nor incidental or consequential damages, all of which are expressly disclaimed. This limited warranty is applicable only to JADO faucets manufactured after June 1, 1996 and installed in the United States and/or Canada.

This limited warranty gives the original consumer purchaser of an JADO faucet specific legal rights which may vary from state to state or from province to province. This limited warranty does not cover any liability for consequential or incidental damages, all of which are hereby expressly disclaimed, or the extension beyond the duration of this limited warranty of any implied limited warranties, including those of merchantability or fitness for an intended purpose. In some states or provinces the exclusion or limitation of incidental or consequential damages is not allowed, so those exclusions may not apply to you.

**POLISHED BRASS AND CUSTOM FINISH WARRANTY:** A 1 YEAR LIMITED FINISH WARRANTY from date of purchase is provided to the first residential owner against defects in materials and workmanship. Due to the ever-changing finish of Patina products, the finish warranty is excluded. Warranty shall not include problems related to the installation of the product.

**MECHANICS**  
**MECHANICAL WARRANTY:** A LIFETIME LIMITED WARRANTY is provided to the first residential owner on parts to be free from failure related to defects in materials and workmanship but not installation.

**CONDITIONS TO WARRANTIES**  
JADO Bathroom & Hardware Manufacturing Corp. places the following conditions on its finish and mechanical warranties to the first residential owner only. JADO finish and mechanical warranties are limited to products correctly installed and used in a residential environment. JADO warranties will not assume liability for damage due to abuse, mishandling, incorrect installation, improper maintenance, or deterioration due to normal use. JADO will not be liable for labor or other costs relating to the sale, installation, or replacement of their products. In the event of a defect in any JADO product covered by this warranty, the product must be returned to the dealer where originally purchased along with proof of purchase. JADO's obligation under the warranty shall be limited to the repair or exchange of any product which has been determined by JADO to be defective after appropriate examination.

109432

# JADO

Products

*Perlrand*

#### Product Numbers

893/902/...  
894/815/...  
893/904/...

## Widespread Lavatory Faucets Installation Instructions

To ensure that your installation proceeds smoothly--please read these instructions carefully before you begin.

Luxury Faucets and Accessories

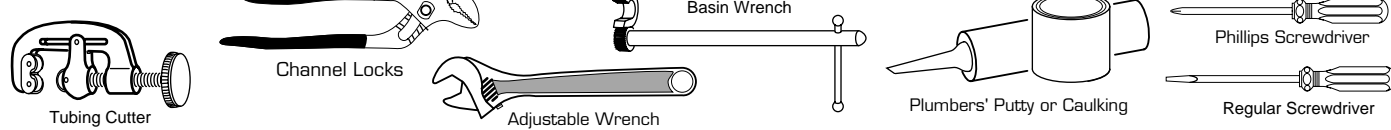


JADO USA  
7845 East Paradise Lane  
Scottsdale, AZ 85260  
Phone: (800) 227-2734  
Fax: (800) 552-JADO(5236)  
www.jadousa.com

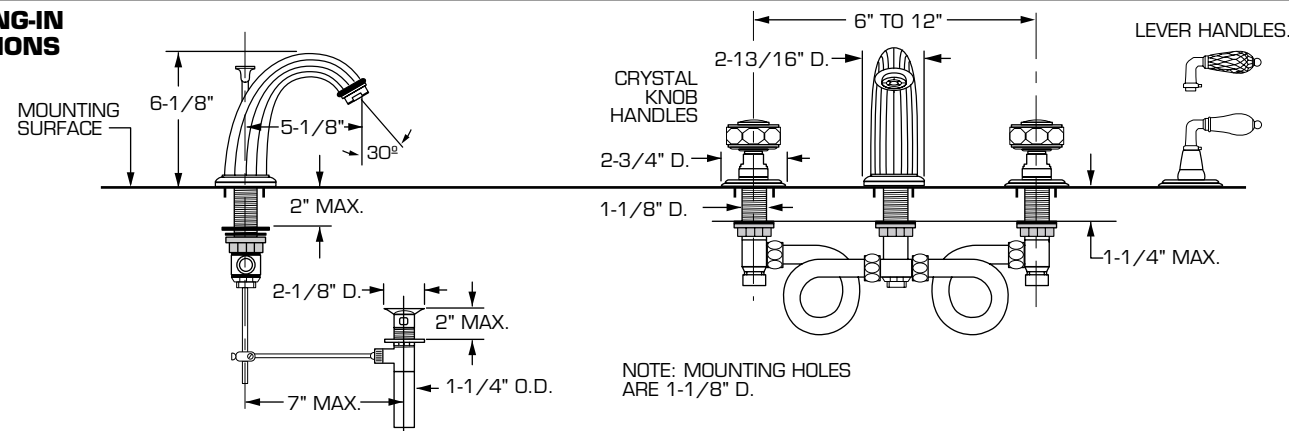
©JADO USA 2003

109432

## TOOLS REQUIRED



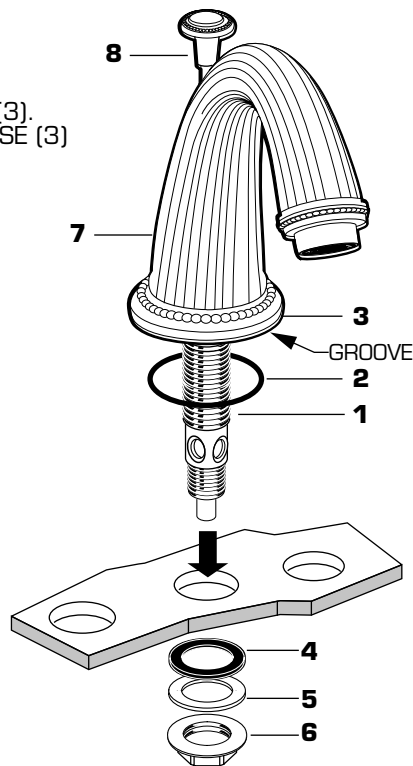
## ROUGHING-IN DIMENSIONS



## 1 SPOUT ASSEMBLY

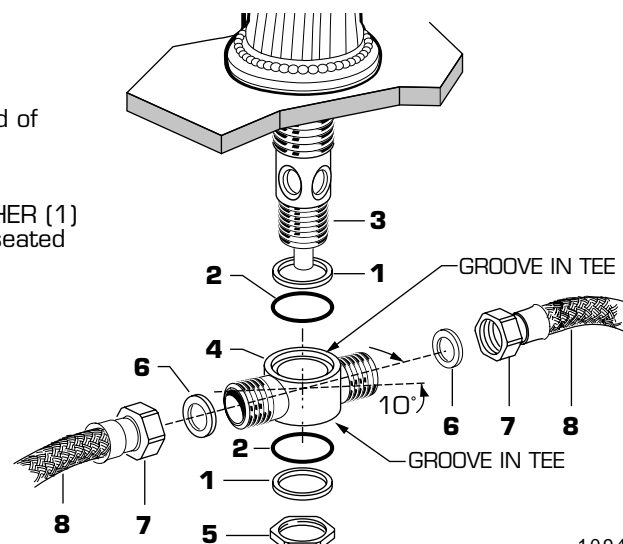
**CAUTION** Turn off hot and cold water supplies before beginning.

- Seat O-RING (2) into groove in SPOUT ESCUTCHEON BASE (3). Insert SPOUT SHANK (1) through SPOUT ESCUTCHEON BASE (3) and center hole of sink or mounting surface.
- Assemble RUBBER WASHER (4), FIBER WASHER (5) and LOCKNUT (6) onto threads of SPOUT SHANK (1) from underside of lavatory or mounting surface.
- Align SPOUT (7) and tighten LOCKNUT (6). Insert LIFT ROD (8) through SPOUT (7).



## 2 TEE AND HOSE ASSEMBLY

- Push one RING WASHER (1) and one of the O-RING (2) onto end of SPOUT SHANK (3).
- Slide the TEE (4) onto SPOUT SHANK (3) until it makes contact with the O-RING (2). Push the other O-RING (2) and RING WASHER (1) onto the SPOUT SHANK (3). Make sure both O-RINGS (2) are seated into grooves of TEE (4).
- Thread LOCK NUT (5) onto SHANK (3). Rotate TEE (4) about 10 degrees from center and tighten securely.
- Insert FIBER WASHERS (6) into COUPLING NUTS (7) of SUPPLY HOSES (8) and tighten.



109432

## 3

### INSTALL VALVE BODIES AND HANDLES

*Note: If HANDLES ASSEMBLIES are installed on VALVE BODIES (1) they must be removed to install VALVE BODIES (1) from under lavatory or mounting surface.*

#### REMOVE HANDLES

- To remove CRYSTAL KNOB HANDLE (2): Unthread INDEX CAP (3) and remove HANDLE SCREW (4). Pull off CRYSTAL KNOB HANDLE (2) and unthread HANDLE BASE (5). Unthread ESCUTCHEON (6).
- To remove LEVER HANDLES (2): Loosen SET SCREW (7) with Hex Wrench provided with faucet. Pull LEVER HANDLE (8, 9) off and unthread HANDLE BASE (5) and ESCUTCHEON (6).

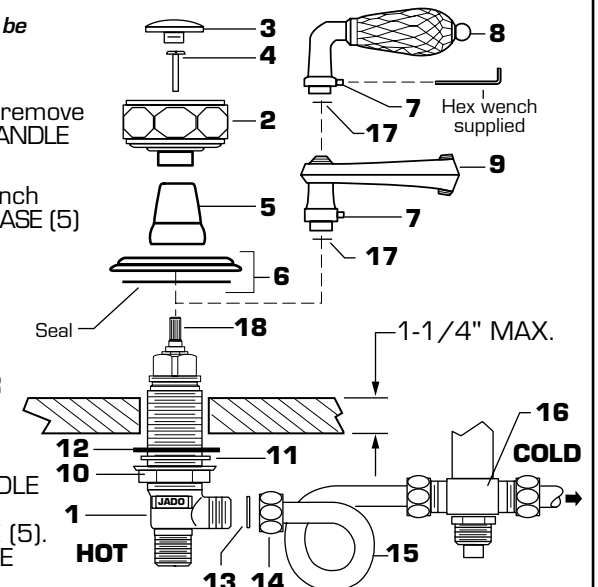
#### INSTALL VALVES

*Note: VALVE BODY marked Hot is installed in the left Mtg. hole, VALVE BODY marked Cold in the right when facing front of fitting. Maximum mounting surface thickness is 1-1/4\"*

- Thread LOCKNUT (10) to bottom of VALVE BODY (1). Make sure FIBER WASHER (11) and RUBBER WASHER (12) are installed. Insert VALVE BODY (1) through mounting hole from underside of SINK or mounting surface.
- Thread ESCUTCHEON (6) with seal onto VALVE BODY (1). Thread HANDLE BASE (5) onto VALVE BODY (1) until snug against internal stop. Thread ESCUTCHEON (6) counter-clockwise until seated against HANDLE BASE (5). Set VALVE BODIES (1) so that their outlets are facing toward SPOUT TEE (16) and then tighten LOCKNUT (10) using wrench.
- Insert FIBER WASHERS (13) into COUPLING NUTS (14) of SUPPLY HOSES (15) and tighten making water tight connection. **Important: Loop SUPPLY HOSES (15) as shown so they do not kink.**

#### INSTALL HANDLES

- **For Lever Handles:** Install FRICTION WASHER (17) onto base of LEVER HANDLE (8, 9). With VALVE in off position align LEVER HANDLE (8, 9) as shown or as desired. Install LEVER HANDLE (8, 9) onto VALVE STEM (18) and tighten SET SCREW (7) with HEX WRENCH supplied.
- **For Crystal handles:** With VALVE in off position align CRYSTAL HANDLE (2) and install onto VALVE STEM (18). Install HANDLE SCREW (4) and tighten. Install INDEX CAP (3).



## 4

### INSTALL POP-UP DRAIN

FIG. 4a

- A FOAM SEAL (1) is installed on underside of FLANGE (2). (Plumbers Putty may be used in place of FOAM SEAL (1) if desired.)
- Drop FLANGE (2) into LAVATORY DRAIN (3). From below assemble RUBBER GASKET (4), PLASTIC WASHER (5) and LOCK NUT (6) onto DRAIN FLANGE (2). Do not tighten fully.

FIG. 4b

- Inspect inside DRAIN BODY (7) that SEAL (8) is installed. Thread DRAIN BODY (7) tight against FLANGE (2) to make a water tight seal.
- The PIVOT ROD OPENING (9) in DRAIN BODY (7) should face the rear of the lavatory. Tighten LOCK NUT (6) on FLANGE (2) to make a water tight connection with channel locks. Do not over tighten.
- Apply sealant or Teflon tape to threads of TAILPIECE (10) and thread into DRAIN BODY (7) making a water tight seal.

FIG. 4c

- Assemble PIVOT ROD (11), and PIVOT NUT (12) as shown. Install CONCAVE WASHER (19) into PIVOT ROD OPENING (9) if not preinstalled. Hand tighten PIVOT NUT (12). Drop STOPPER (13) into drain. **(To vandal proof drain rotate STOPPER (13) so PIVOT ROD (11) goes through EYE (14) of STOPPER (13).** Make connection to "P" TRAP.
- Assemble POP-UP SWIVEL (15) to PIVOT ROD (11) but do not tighten. Drop POP-UP ROD (16) through other hole in POP-UP SWIVEL (15) and tighten SET SCREW (17)
- Adjust STOPPER (13) height by repositioning POP-UP ROD (16) in SWIVEL (15) and tightening SET SCREW (18).

FIG. 4a

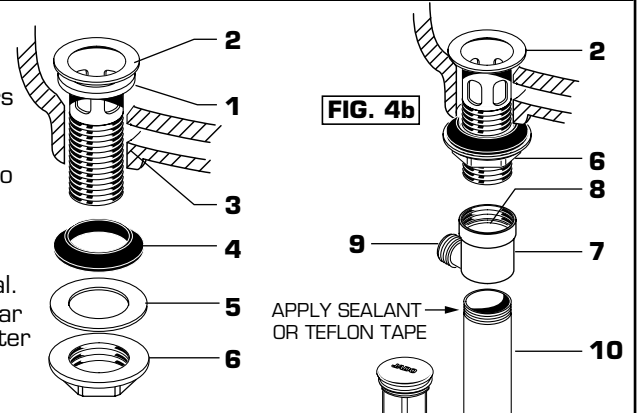


FIG. 4b

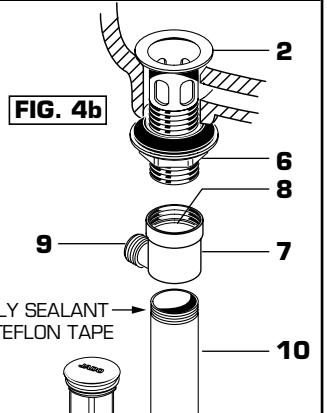
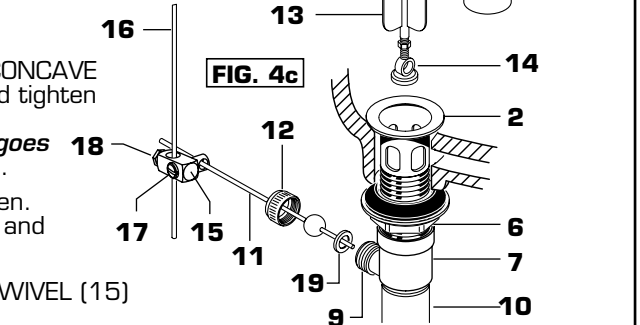


FIG. 4c

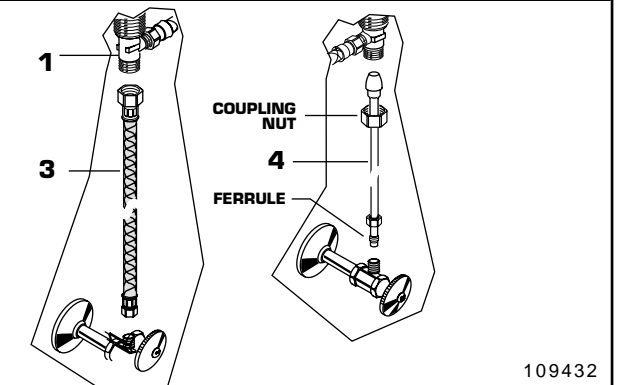


## 5

### WATER SUPPLY CONNECTIONS

**NOTE: FLEXIBLE SUPPLIES OR BULL-NOSE RISERS MUST BE PURCHASED SEPARATELY.**

- Connect water supply to VALVE BODIES (1) with 1/2" IPS FLEXIBLE SUPPLIES (3) or 3/8" O.D. BULL-NOSE RISERS (4). Use wrench to tighten connections.
- Do not over tighten. Be careful not to kink copper supply when bending. Use tubing cutter to cut to proper length.



109432