

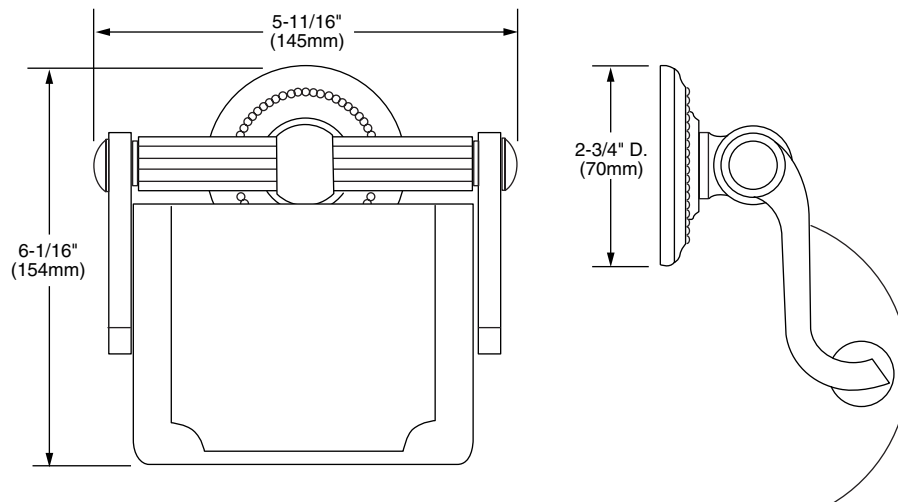
**Features:**

- Solid Brass Construction
- Concealed Mounting
- Metal Spool in Matching Finish

Pictured: 501/145 Hooded Tissue Holder

|                      | Product Number |
|----------------------|----------------|
| Hooded Tissue Holder | 501/145        |
| Tissue Holder        | 501/140        |

| Available Finishes: | Finish Code |
|---------------------|-------------|
| Gold                | 109         |
| UltraBrass          | 113         |
| Brushed Nickel      | 144         |



**IMPORTANT:** These measurements are subject to change or cancellation. No responsibility is assumed for use of superseded or voided pages.