

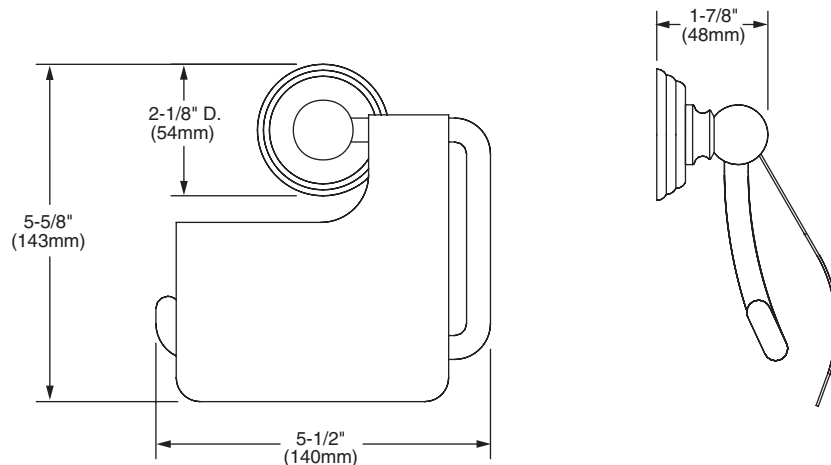


Features:

- Solid Brass Construction
- Concealed Mounting

	Product Number
Tissue Holder	033/140
Hooded Tissue Holder	033/145

Available Finishes:	Finish Code
Polished Chrome	100
Old Bronze	105
UltraBrass	113
Brushed Nickel	144
Silver Nickel/Gold	149
Platinum Nickel	150
Diamond (PVD)	167
Brushed Nickel/Gold	194



IMPORTANT: These measurements are subject to change or cancellation. No responsibility is assumed for use of superseded or voided pages.