

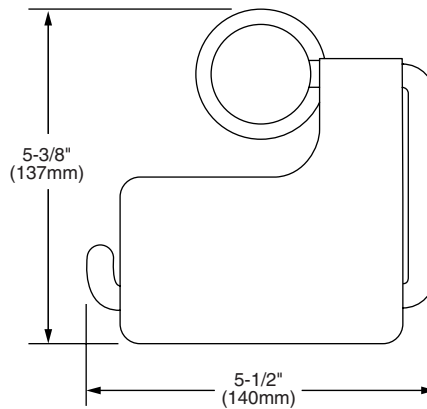
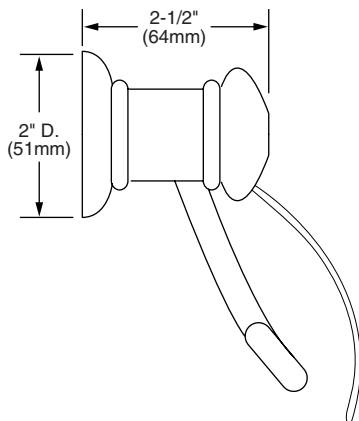


Features:

- Solid Brass Construction
- Concealed Mounting

	Product Number
Hooded Tissue Holder	027/145
Tissue Holder	027/140

Available Finishes:	Finish Code
Polished Chrome/Ultra Brass	123
Brushed Nickel	144
Silver Nickel/Gold	149
Brushed Nickel/Gold	194



IMPORTANT: These measurements are subject to change or cancellation. No responsibility is assumed for use of superseded or voided pages.