

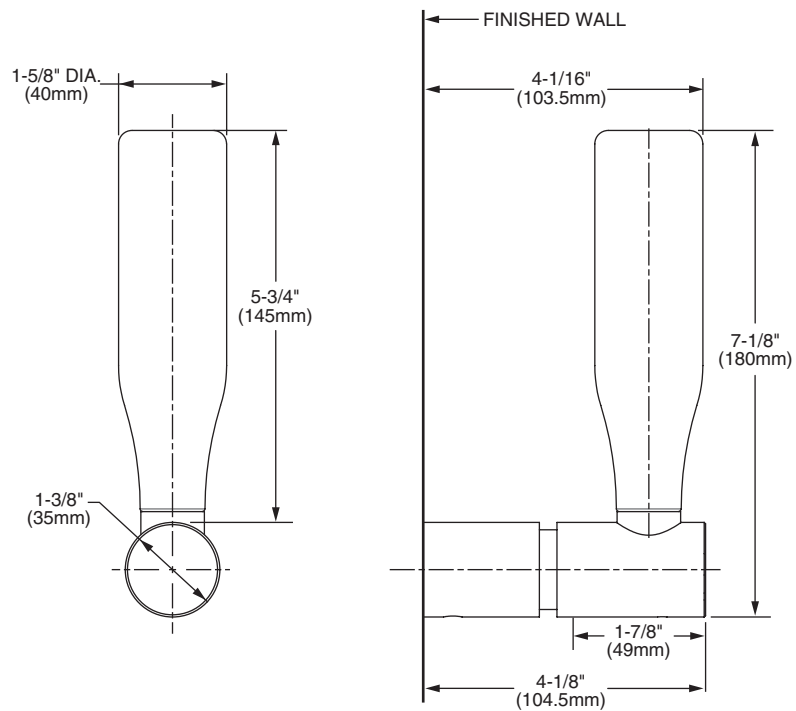


Features:

- Solid Brass Construction
- Concealed Mounting
- Frosted tempered glass
- Push operated flow of soap/lotion

| | Product Number |
|------------------|----------------|
| Lotion Dispenser | 021/144 |

| Available Finishes: | Finish Code |
|---------------------|-------------|
| Polished Chrome | 100 |



IMPORTANT: These measurements are subject to change or cancellation. No responsibility is assumed for use of superseded or voided pages.