

# JADO

## Wall Mounted Accessories Installation Instructions

To ensure that your installation proceeds smoothly--please read these instructions carefully before you begin.

P r o d u c t s

L u x u r y F a u c e t s a n d A c c e s s o r i e s

### Jean Nouvel Product Numbers

Robe Hook  
021/010/...

Towel Holder  
021/200/...

Tissue Holder  
021/140/...

Spare Tissue Holder  
021/160/...

Tumbler  
021/141/...

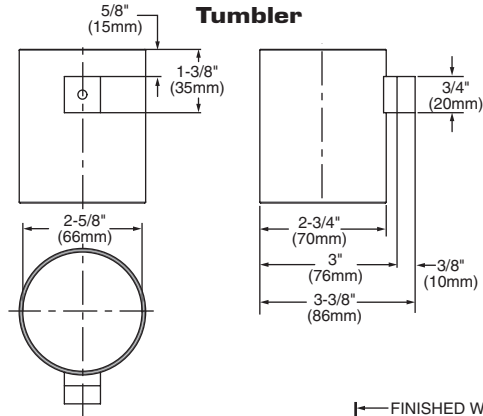
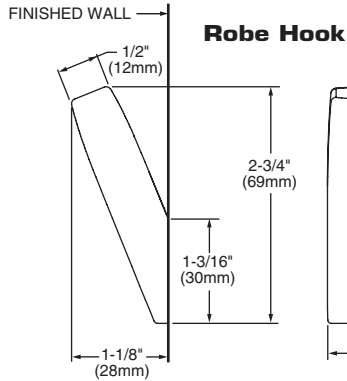
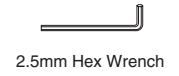
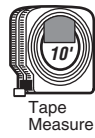
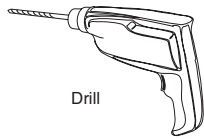
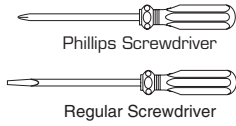
Lotion Dispenser  
021/144/...

Shelf 24"  
021/612/...

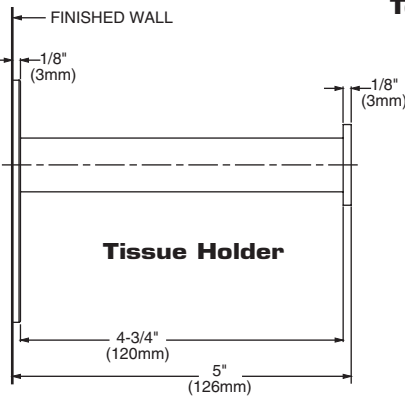
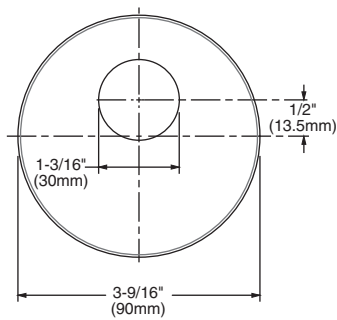
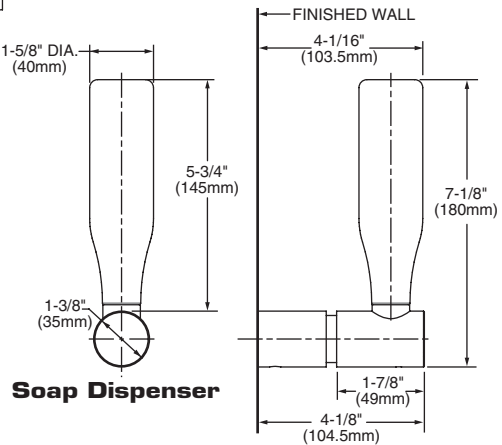
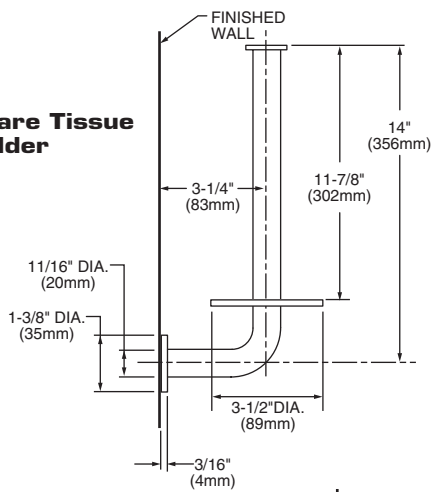


JADO USA  
7845 East Paradise Lane  
Scottsdale, AZ 85260  
Phone: (800) 227-2734  
Fax: (800) 552-JADO (5236)  
www.jadousa.com

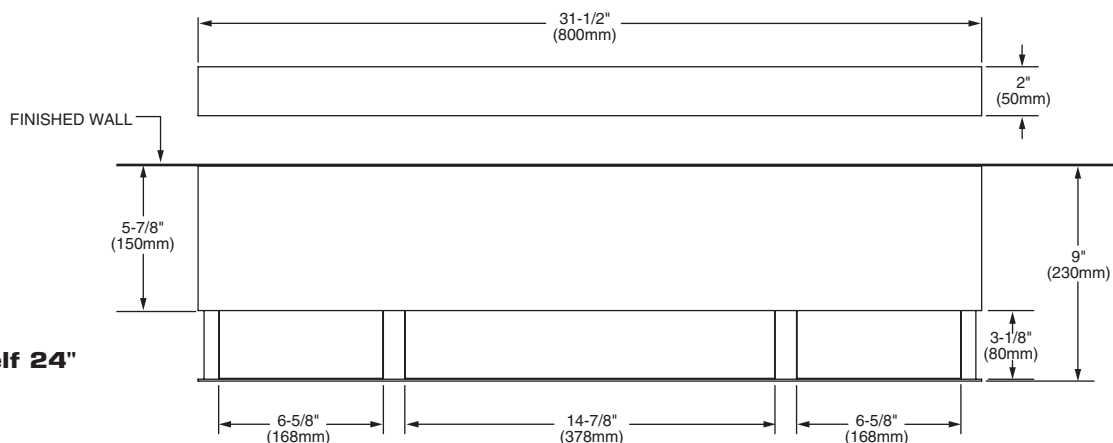
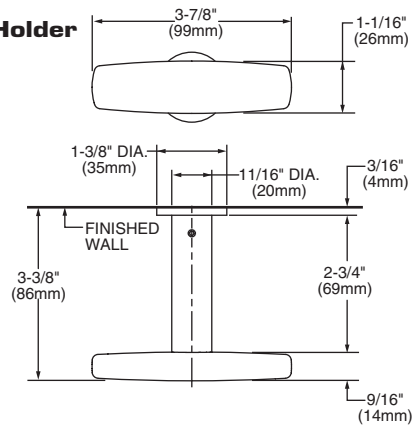
**RECOMMENDED REQUIRED**



**Spare Tissue Holder**



**Towel Holder**



# 1

## ALL WALL MOUNTED ACCESSORIES

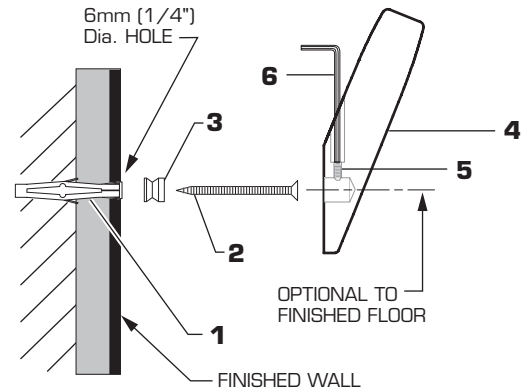
- The wall mounted accessories work best if secured to a wall stud or cross brace within the wall, using the SCREWS supplied.
- If the WALL MOUNTED ACCESSORIES are to be installed on a tile or plaster wall the ANCHORS and SCREWS should be used.
- Determine desired height and location (optional) and mark a center line. Using the MOUNTING PLATE as a template if two or more holes have to be drilled. If MOUNTING PLATE is secured to a stud or cross brace drill small pilot holes for SCREWS.

# 2

## INSTALLATION

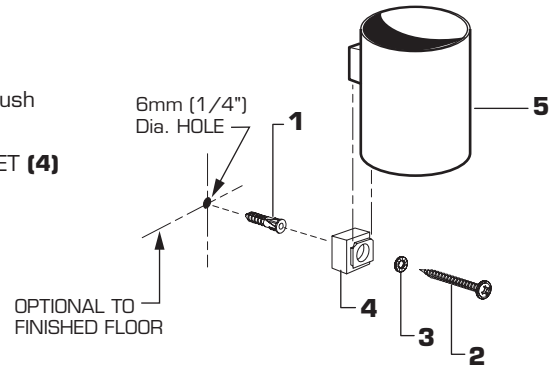
### Robe Hook

- Determine desired height and location (optional) and mark a center line.
- Drill a 6mm (1/4") Dia. hole into wall. Push ANCHOR (1) into hole until flush against finished wall.
- Install MOUNTING SCREW (2) through MOUNTING BRACKET (3) and into ANCHOR (1). Tighten MOUNTING SCREW (2) with screw driver.
- Install ROBE HOOK (4) onto MOUNTING BRACKET (3). Align and push ROBE HOOK (4) flush against finished wall and tighten SET SCREWS (5) with HEX WRENCH (6) supplied with accessory.



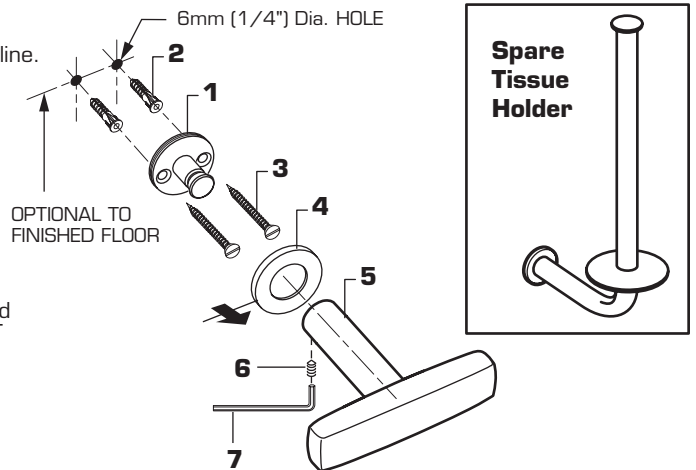
### Tumbler

- Determine desired height and location (optional) and mark a center line.
- Drill a 6mm (1/4") Dia. hole into wall. Push ANCHOR (1) into hole until flush against finished wall.
- Install MOUNTING SCREW (2) through WASHER (3), MOUNTING BRACKET (4) and into ANCHOR (1). Tighten MOUNTING SCREW (2) with screw driver.
- Install TUMBLER (5) onto MOUNTING BRACKET (4).



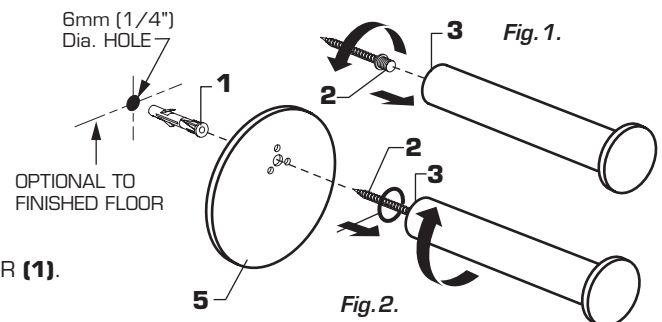
### Towel Holder & Spare Tissue Holder

- Determine desired height and location (optional) and mark a center line.
- Use the MOUNTING BRACKET (1) as a template and drill two 6mm (1/4") Dia. holes into wall. Push ANCHORS (2) into holes until flush against finished wall.
- Install MOUNTING SCREWS (3) through MOUNTING BRACKET (1) and into ANCHORS (2). Tighten MOUNTING SCREWS (3) with screw driver.
- Slide WALL ESCUTCHEON (4) onto TOWEL HOLDER (5).
- Install TOWEL HOLDER (5) onto MOUNTING BRACKET (1). Align and push TOWEL HOLDER (5) flush against finished wall and tighten SET SCREW (6) with HEX WRENCH (7) supplied with accessory.
- Thread WALL ESCUTCHEON (4) onto MOUNTING BRACKET (1).



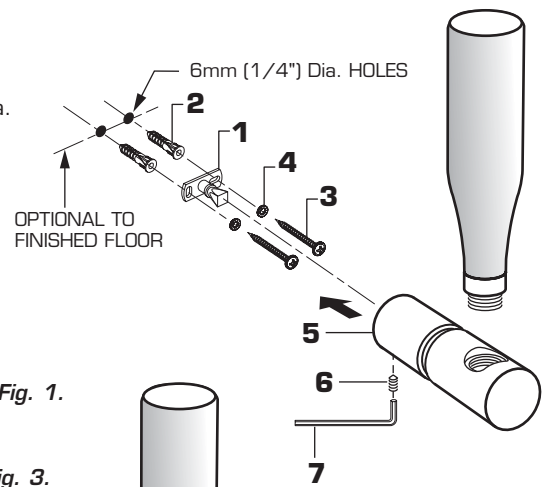
### Tissue Holder

- Determine desired height and location (optional) and mark a center line.
- Drill a 6mm (1/4") Dia. hole into wall. Push ANCHOR (1) into hole until flush against finished wall.
- Thread MOUNTING SCREW (2) into end of HOLDER (3). Fig. 1.
- Install O-RING (4) into end groove of HOLDER (3).
- Install MOUNTING SCREW (2) through END PLATE (5) and into ANCHOR (1). Thread clock-wise to tighten. **Do not over tighten!**



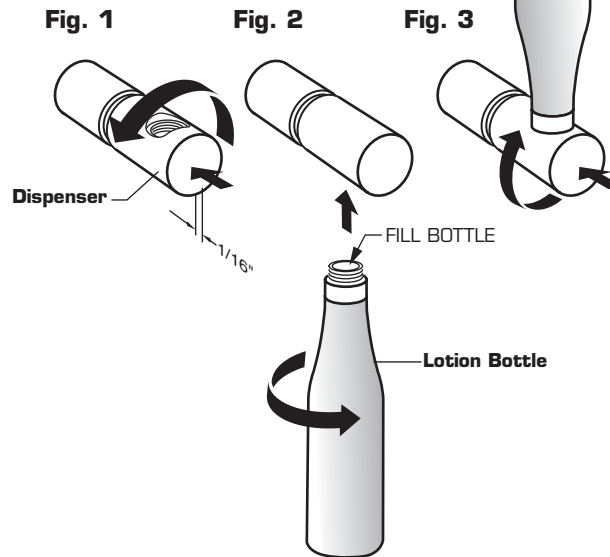
## Lotion Dispenser

- Determine desired height and location (optional) and mark a center line.
- Use the MOUNTING BRACKET (1) as a template and drill two 6mm (1/4") Dia. holes into wall. Push ANCHORS (2) into holes until flush against finished wall.
- Install MOUNTING SCREWS (3) through WASHERS (4) and MOUNTING BRACKET (1) and into ANCHORS (2). Tighten MOUNTING SCREWS (3) with screw driver. **Do not over tighten!**
- Install LOTION DISPENSER (5) onto MOUNTING BRACKET (1). Align and push LOTION DISPENSER (5) flush against finished wall and tighten SET SCREW (6) with HEX WRENCH (7) supplied with accessory.



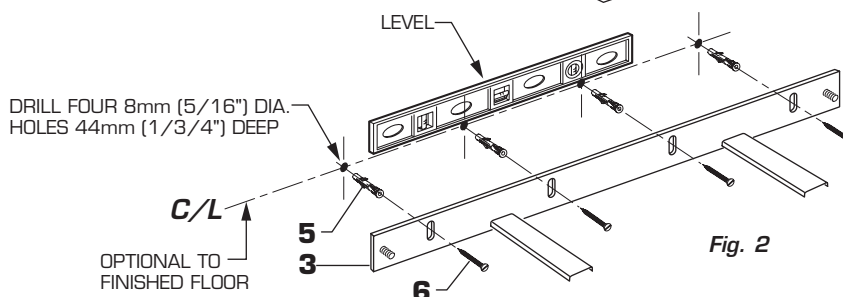
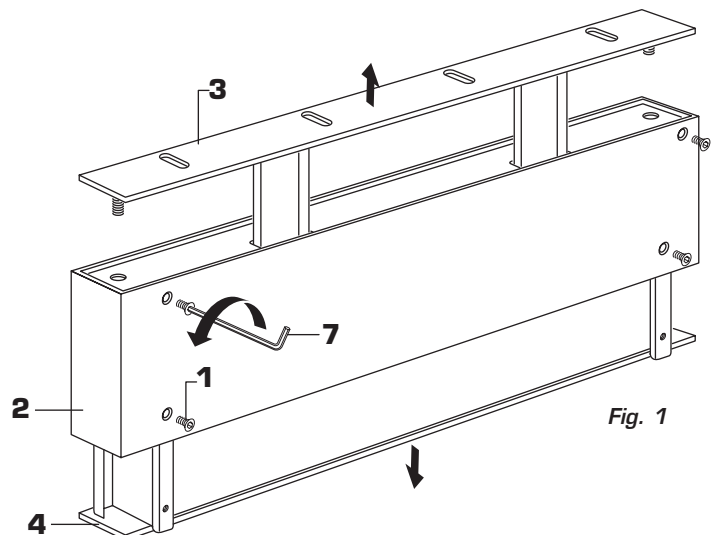
## How to fill Lotion Dispenser

- Push end of **Dispenser** in about a 1/16" and rotate counter-clockwise 180°. *Fig. 1.*
- Fill **Lotion Bottle** and thread hand tight into **Dispenser**. *Fig. 2.*
- Push end of **Dispenser** in again and rotate clockwise until **Bottle** is upright. *Fig. 3.*
- Push end of **Dispenser** in to operate.



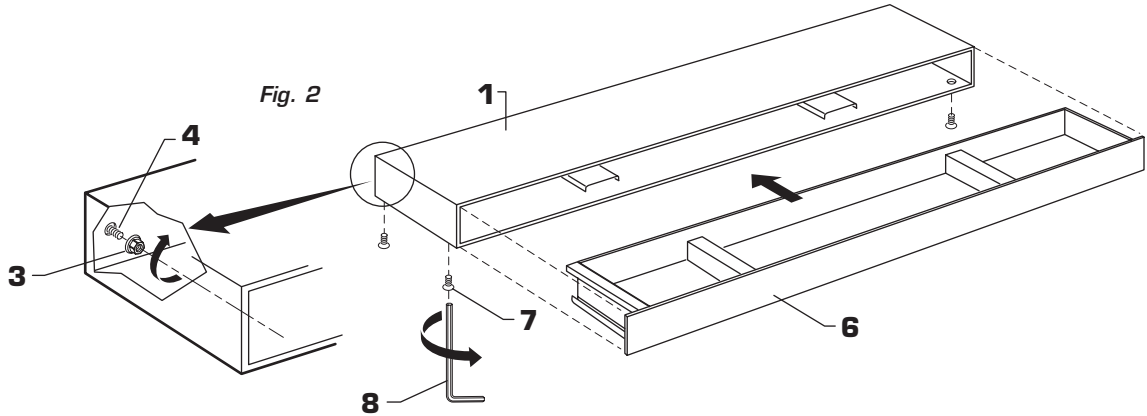
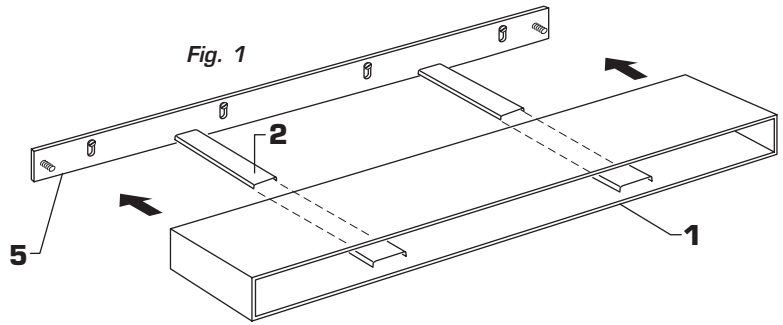
## Shelf 24"

- Remove the four SCREWS (1) from the underside of the SHELF (2) with a 2.5mm HEX WRENCH (7). Pull out the MOUNTING BRACKET (3) and remove the DRAWER (4) from the SHELF (2). *Fig. 1.*
- Determine desired height and location (optional) and use a level to mark a center line. *Fig. 2.*
- Using the MOUNTING BRACKET (3) as a template, mark the location of the mounting holes and drill four 8mm (5/16") dia. holes 44mm (1 3/4") deep.
- Push ANCHORS (5) into holes until flush against finished wall.
- Install MOUNTING SCREWS (6) through MOUNTING BRACKET (3) and into ANCHORS (5). Check for level and tighten MOUNTING SCREWS (6) with screw driver.



## Shelf 24"

- Slid SHELF (1) onto MOUNTING RAILS (2) and push flush against finished wall. *Fig. 1.*
- Thread the two MOUNTING NUTS (3) onto MOUNTING STUDS (4) at either end of MOUNTING BRACKET (5) and tighten. *Fig. 2.*
- Slide the DRAWER (6) into SHELF (1). Align the holes on the underside on the SHELF (1) with the drawer sliders and replace the four SCREWS (7). Tighten with a 2.5mm HEX WRENCH (8). Check DRAWER (6) for proper operation. *Fig. 2.*



## 3

### HELPFUL HINTS FOR CLEANING AND MAINTENANCE

*The solid brass product you have just purchased has been designed to give you years of beauty and service. It is important to bring to your attention proper care and maintenance procedures, which will ensure its lasting beauty.*

- First and foremost, it is important (as it is with any fine piece of jewelry or furniture) that the product be wiped clean and dry with a soft damp cloth after every use.
  - Second, under no circumstances should an abrasive cleaner or combination cleaner/polish be used on JADO products. The abrasive nature of such products will eventually destroy the finish and void the warranty.
  - In the event of stubborn blemishes shown on the finish, we recommend use of Windex window cleaner with a soft cloth, but we do not recommend it be used on an everyday basis.
  - It is important to note that it is normal to expect signs of usage over time.
- Thank you for selecting JADO for your home.**

### TO THE PURCHASER OF JADO BRASS PRODUCTS

#### Attention installer:

*Please leave This Pamphlet for The Owner*

**NOTICE: JADO products conform to industry requirements of water conservation under the ASTM / ANSI A112.18.1M-1994 plumbing code. Lavatory, bidet, wet bar and kitchen faucet sets have a maximum flow rate of 2.2GPM. Shower heads, hand showers and body sprays have a maximum flow rate of 2.5GPM.**

The state of California has mandated under Proposition #65 that manufactures of products, including faucets which come into contact with potable water, must warn the consumer if the product contains materials listed by the state as a carcinogen or reproductive toxin. Lead, which is contained in all brass faucets in limited amounts appears on the State's list.

Preliminary industry tests have indicated that users of faucets made from brass face no significant danger, however, California Proposition #65 requires that we provide you with the following notice:

*Warning: This product contains an element known to the State of California to cause cancer or reproductive harm.*

JADO BATHROOM AND HARDWARE MFG. CORP.  
7845 East Paradise Lane  
Scottsdale, AZ 85260

#### FAUCET LIFETIME FUNCTION AND FINISH LIMITED WARRANTY

JADO Bathroom & Hardware Manufacturing Corp. provides the following warranties only to the first residential owner of our products.

##### FINISHES

JADO warrants this product to be free from defects in materials or workmanship for as long as the original consumer purchaser owns their home.

JADO will provide, free of charge, at its sole option, replacement part(s) or product (or if no longer available, a comparable product) to replace those which have proven defective in materials or workmanship.

Proof of purchase (original sales receipt) from the original consumer purchaser must be made available to JADO for all limited warranty claims. This limited warranty is non transferable. It does not apply in the event of product damage due to the use of other than genuine JADO replacement parts, installation error, abuse, misuse, or improper care and maintenance (whether performed by a plumber, contractor, service provider or member of the purchaser's household). The limited warranty excludes damage due to aggressive air or water conditions, or harsh or abrasive cleaners and/or materials. This limited warranty excludes all industrial, commercial and business usage, whose purchasers are hereby extended a two year limited warranty (with the exception of solenoid valves and other electronic components which carry a one year limited warranty) applying to all other terms of this limited warranty except duration. This limited warranty does not cover labor charges incurred and/or damages sustained in installation, repair or replacement, nor incidental or consequential damages, all of which are expressly disclaimed. This limited warranty is applicable only to JADO faucets manufactured after June 1, 1996 and installed in the United States and/or Canada.

This limited warranty gives the original consumer purchaser of an JADO faucet specific legal rights which may vary from state to state or from province to province. This limited warranty does not cover any liability for consequential or incidental damages, all of which are hereby expressly disclaimed, or the extension beyond the duration of this limited warranty of any implied limited warranties, including those of merchantability or fitness for an intended purpose. In some states or provinces the exclusion or limitation of incidental or consequential damages is not allowed, so those exclusions may not apply to you.

**POLISHED BRASS AND CUSTOM FINISH WARRANTY:** A 1 YEAR LIMITED FINISH WARRANTY from date of purchase is provided to the first residential owner against defects in materials and workmanship. Due to the ever-changing finish of Patina products, the finish warranty is excluded. Warranty shall not include problems related to the installation of the product.

##### MECHANICS

**MECHANICAL WARRANTY:** A LIFETIME LIMITED WARRANTY is provided to the first residential owner on parts to be free from failure related to defects in materials and workmanship but not installation.

##### CONDITIONS TO WARRANTIES

JADO Bathroom & Hardware Manufacturing Corp. places the following conditions on its finish and mechanical warranties to the first residential owner only. JADO finish and mechanical warranties are limited to products correctly installed and used in a residential environment.

JADO warranties will not assume liability for damage due to abuse, mishandling, incorrect installation, improper maintenance, or deterioration due to normal use.

JADO will not be liable for labor or other costs relating to the sale, installation, or replacement of their products.

In the event of a defect in any JADO product covered by this warranty, the product must be returned to the dealer where originally purchased along with proof of purchase.

JADO's obligation under the warranty shall be limited to the repair or exchange of any product which has been determined by JADO to be defective after appropriate examination.

965816