

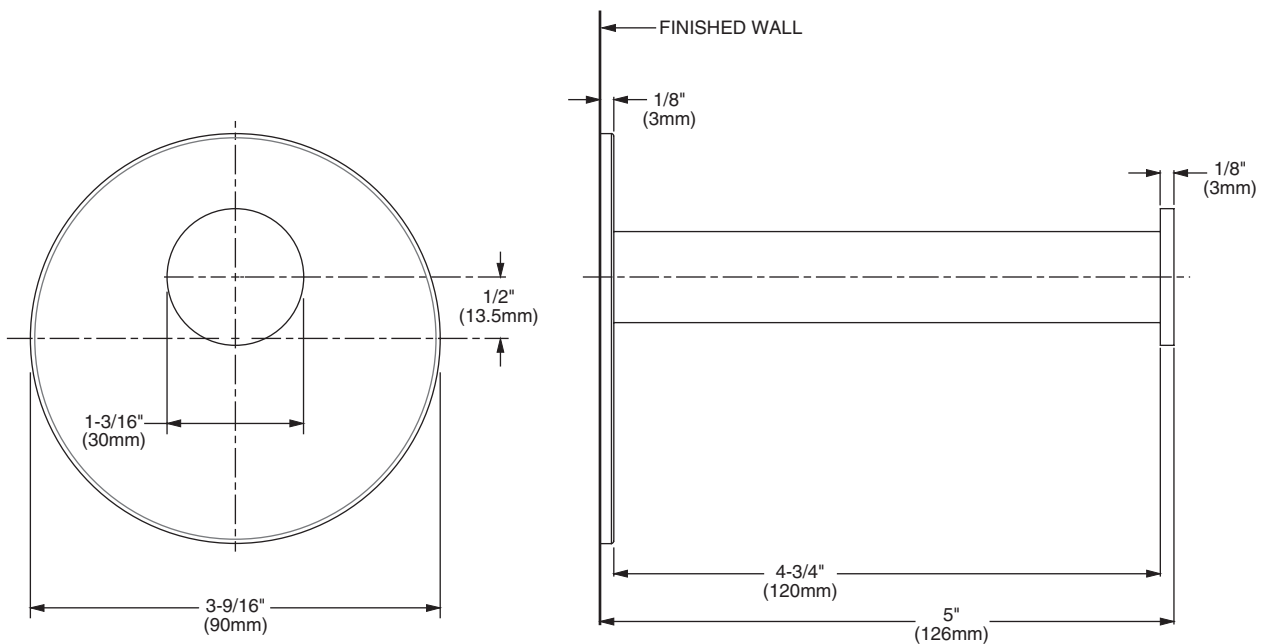


### Features:

- Solid Brass Construction
- Concealed Mounting

	Product Number
Tissue Holder	021/140

Available Finishes:	Finish Code
Polished Chrome	100



**IMPORTANT:** These measurements are subject to change or cancellation. No responsibility is assumed for use of superseded or voided pages.