

# bellavista™ 6 whirlpool bath and soaking bath

to the Italians, literally "beautiful view." to you, a wonderful place to gain relaxed, revitalized perspective.



In Italy, it means beautiful view. To you, a wonderful place to regain relaxed, revitalized perspective.

## features:

- 4 fully adjustable PowerPro® jets
- 4 spinning neck jets
- 2 directionally adjustable AccuPro™ foot jets
- Sculpted armrest and contoured backrest
- Multi-speed motor
- 256 Chromatherapy lighting system
- Wave Pulse™ system
- All-in-one electronic control panel
- Water-level sensor
- PrO<sub>3</sub>™ Ozone Sanitation System standard

## bellavista™ 6 whirlpool bath

model number: EE20

exterior dimensions:  
72" long x 42" wide x 26" high

interior dimensions:  
43½" long x 23½" wide

# of Jets/type of Jets:  
4 PowerPro® Jets,  
4 Spinning Neck Jets,  
2 AccuPro™ Foot Jets

operating gallons:  
87 gallons

## bellavista™ 6 soaking bath

model number: Y870

exterior dimensions:  
72" long x 42" wide x 26" high

**Detail:** The Bellavista™ whirlpool bath's perfectly placed PowerPro® and AccuPro™ jets work in concert with a deeply contoured backrest to offer the ultimate in hydrotherapy.





# Bellavista™ 6 Whirlpool Bath

Model: EE20

# Bellavista™ 6 Bath

Model: Y870

## Ordering Information

Product Code:

EE20 Bellavista™ 6 Whirlpool Bath with RapidHeat™ Right Hand

Y870 Bellavista™ 6 Bath

- Center Drain
- Accessories / Hardware:
  - HTA Jet Rings Kit: #M952
  - BMH Jet Trim Kit: #J869
  - 2 x Neck Jet Rings Trim Kit: #P556
  - Oval Trim Kit: #N557
  - Rotary Drain Kit, 30" Cable: #K606
- Trim Kit Finishes Available:
  - (827) - Chrome
  - (898) - Brushed Chrome
  - (815) - Satin Nickel
  - (829) - Bright Brass
  - (805) - Platinum
  - (826) - Brushed Nickel
  - (849) - Oil Rubbed Bronze

## Installation Notes

Refer to installation instructions included with fixture before beginning installation. Please confirm product availability and specifications before commencing with any installation work.

PRODUCT SPECIFICATIONS AND AVAILABILITY ARE SUBJECT TO CHANGE WITHOUT NOTICE.

## Technical Specifications

### Dimensions

72" L x 42" W x 26" H  
(1829 mm) L x (1067 mm) W x (660 mm) H

### Drain/Overflow

A: 20" (508 mm) B: 11-3/4" (298 mm)

### Cutout

Template Provided P/N P187000

### Total Weight

EE20: 1130 lb (514 kg) / 54 lb/sq. ft. (264 kg/m<sup>2</sup>)  
Y870: 1200 lb (544 kg) / 57 lb/sq. ft. (279 kg/m<sup>2</sup>)

### Operating Gallonage

87 U.S. Gal. (341 Liters)  
Min. 75 U.S. Gal. (276 Liters)  
Max. 98 U.S. Gal. (371 Liters)

### Product Weight

EE20: 130 lb (59 kg)  
Y870: 100 lb (33 kg)

### Skirt Mounting

Not Available

### Electrical Specifications Model EE20 only

Requires a dedicated GFCI protected separate circuit.

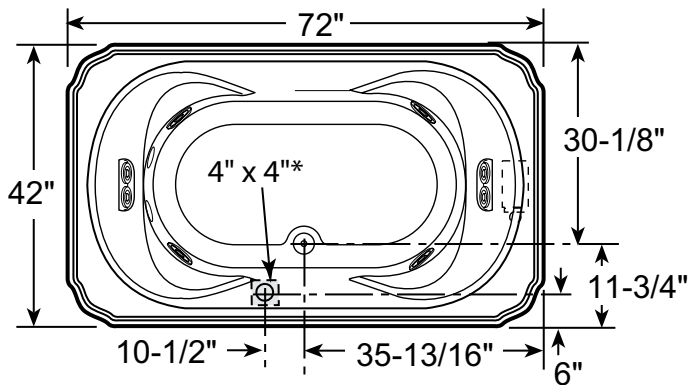
Motor/Pump: 120 VAC, 20 AMP, 60 Hz.

RapidHeat™: 120 VAC, 15 AMP, 60 Hz.

### Heater (Standard) Model EE20 only

Requires a dedicated GFCI protected separate circuit.

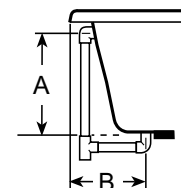
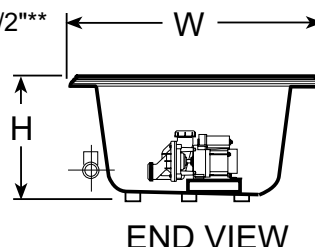
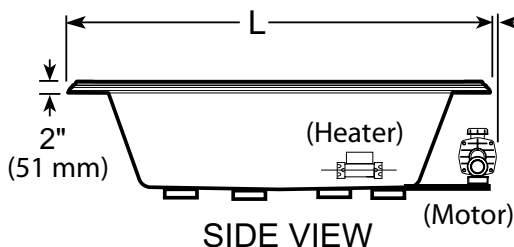
RapidHeat™: P/N S750000



Product Shown: Bellavista™ 6 Whirlpool Bath Right Hand Shown Model: EE20

\* Measurements inside unit represent cutout in floor to allow for drain/overflow.

Minimum Service Access dimensions given.



DRAIN/OVERFLOW