

tara™ whirlpool bath and soaking bath

like the fabled Irish tower of kings that shares its name, the tara™ whirlpool bath is itself a singularly regal experience in an everyday world.



Cozy up to the Tara™ whirlpool bath's corner configuration and linger as you massage away the cares of the day.

features:

- 4 Fully adjustable TheraPro™ jets
- 2 Directionally adjustable AccuPro™ lumbar jets.
- 1 Directionally adjustable AccuPro™ foot jet.
- Exclusive Tru-Level™ base system.
- Slip-resistant bottom.
- Patented Silent Air™ Induction system.
- Integral skirt

tara™ whirlpool bath

model number: 8450 RH Pump,
B950 LH Pump

exterior dimensions:
60" long x 60" wide x 20¾" high

interior dimensions (at bottom):
45" long x 40" wide

of Jets/type of Jets:
4 TheraPro™ Jets,
2 AccuPro™ Lumbar Jets,
1 AccuPro™ Foot Jet

operating gallons:
74 gallons

tara™ soaking bath

model number: 9191

exterior dimensions:
60" long x 60" wide x 20¾" high

interior dimensions:
45" long x 40" wide

Detail: The Tara™ whirlpool bath places Jacuzzi's Magic Touch® controls right in reach. Perfectly positioned AccuPro™ jets massage away cares as you recline against Tara's backrest.





Tara™ Whirlpool Bath

Model: B950, 8450

Tara™ Bath

Model: 9191

Ordering Information

Product Code:

9191 Tara™ Bath

8450 Tara™ Whirlpool Bath
Right Hand

B950 Tara™ Whirlpool Bath Left Hand

- Center Drain Location
- Accessories / Hardware:
 - Trip-Lever Drain Kit #X559
 - Rotary Trip Kit, 26" Cable: #8730
 - 4 X HTC Jet Trim Kit: #D095
 - 2 X BMH Jet Trim Kit: #J869

- Trim Kit Finishes Available:
 - (827) - Chrome
 - (898) - Brushed Chrome
 - (815) - Satin Nickel
 - (829) - Bright Brass
 - (805) - Platinum
 - (826) - Brushed Nickel
 - (849) - Oil Rubbed Bronze

Installation Notes

Refer to installation instructions included with fixture before beginning installation. Please confirm product availability and specifications before commencing with any installation work.

PRODUCT SPECIFICATIONS AND AVAILABILITY ARE SUBJECT TO CHANGE WITHOUT NOTICE.

Electrical Components and Electrical Specifications do not apply to non-jetted baths.

Technical Specifications

Dimensions

60" L x 60" L x 20-3/4" H
(1524 mm) L x (1524 mm) L x (527 mm) H

Drain/Overflow

A: 16" (406 mm) B: 12-3/8" (314 mm)

Cutout

See Illustration Below

Total Weight

B950, 8450: 984 lb (446 kg) / 39 lb/sq. ft. (192 kg/m²)
9191: 942 lb (427 kg) / 38 lb/sq. ft. (184 kg/m²)

Operating Gallonage

74 U.S. Gal. (280 Liters)
Max. 87 U.S. Gal. (329 Liters)

Product Weight

B950, 8450: 118 lb (54 kg)
9191: 76 lb (34kg)

Skirt Mounting

Optional

Electrical Specifications Models B950, 8450 only

Requires a dedicated GFCI protected separate circuit.

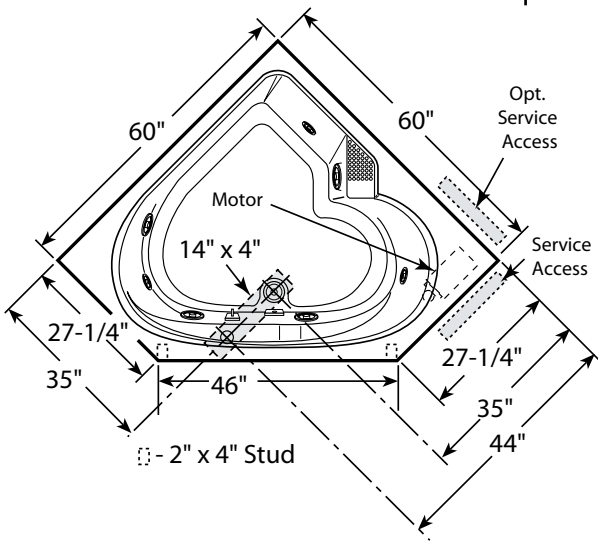
Motor/Pump: 120 VAC, 15 AMP, 60 Hz.

RapidHeat™: 120 VAC, 15 AMP, 60 Hz.

Heater (Optional) Models B950, 8450 only

Requires a dedicated GFCI protected separate circuit.

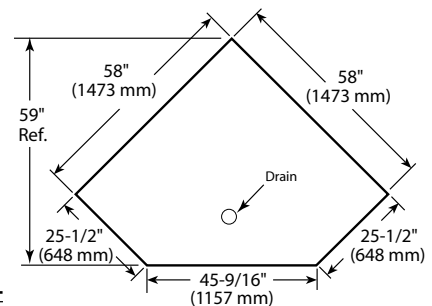
RapidHeat™: P/N S750000



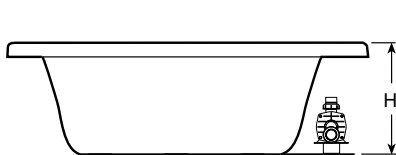
Product Shown: Tara™ Corner Whirlpool Bath Model: 8450

* Measurements inside unit represent cutout in floor to allow for drain/overflow.

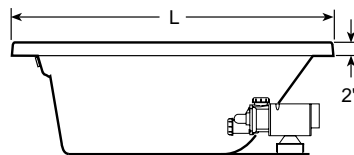
Minimum Service Access dimensions given.



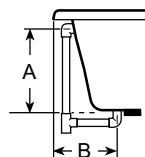
TARA CORNER CUTOUT
Right & Left Hand



SIDE VIEW



END VIEW



DRAIN/OVERFLOW