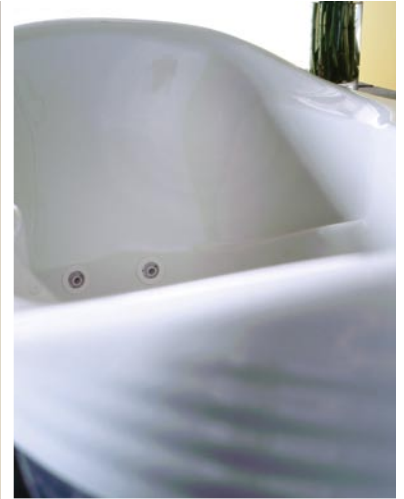


fresco® whirlpool bath and soaking bath



fresco. the ancient art of painting on moist plaster surfaces. where colors penetrate, blend, soften—dissolve.



Like its namesake, the Fresco® is pure art.

features:

- 4 Fully adjustable TheraPro™ jets
- 2 AccuPro™ foot jets.
- Electronic on/off control
- Sculpted armrest and contoured backrest
- Integral handrail
- Exclusive Tru-Level™ base
- Slip-resistant bottom.
- Patented Silent Air™ Induction system.

fresco® whirlpool bath

model number: **BM90** (center drain RH pump), **BM95** (center drain LH pump)

exterior dimensions:
71½" long x 42" wide x 27¼" high

interior dimensions:
47" long x 25" wide

of Jets/type of Jets:
**4 TheraPro™ Jets,
2 AccuPro™ Foot Jets**

operating gallons:
63 gallons

fresco® soaking bath

model number: **BM85**

exterior dimensions:
71½" long x 42" wide x 27¼" high

interior dimensions:
47" long x 25" wide

Detail: The Fresco® whirlpool bath's high, molded backrest supports a tired head and shoulders, while Jacuzzi's exclusive AccuPro™ jets deliver an even, perfectly pressured foot massage.





Fresco® Whirlpool Bath

Model: BM90, BM95

Fresco® Bath

Model: BM85

Ordering Information

Product Code:

BM90 Fresco® Whirlpool Bath
Right Hand

BM95 Fresco® Whirlpool Bath
Left Hand

BM85 Fresco® Bath

- Center Drain Location
- Accessories / Hardware:
 - Trip-Lever Drain Kit: #X559
 - Rotary Drain Kit, 26" Cable: #8730
 - HTC Jet Trim Kit: #D095
 - BMH Jet Trim Kit: #J869
- Trim Kit Finishes Available:
 - (827) - Chrome
 - (898) - Brushed Chrome
 - (815) - Satin Nickel
 - (829) - Bright Brass
 - (805) - Platinum
 - (826) - Brushed Nickel
 - (845) - Oil Rubbed Bronze

Installation Notes

Refer to installation instructions included with fixture before beginning installation. Please confirm product availability and specifications before commencing with any installation work.

PRODUCT SPECIFICATIONS AND AVAILABILITY ARE SUBJECT TO CHANGE WITHOUT NOTICE.

Electrical Components and Electrical Specifications do not apply to non-jetted baths.

Technical Specifications

Dimensions

71-1/2" L x 42" W x 27-1/4" H
(1816 mm) L x (1067 mm) W x (692 mm) H

Drain/Overflow

A: 20-1/8" (511 mm) B: 11-3/4" (299 mm)

Cutout

Template Provided P/N: P188000

Total Weight

BM90, BM95: 921 lb (418 kg) / 44 lb/sq. ft. (216 kg/m²)
BM85: 896 lb (406 kg) / 43 lb/sq. ft. (210 kg/m²)

Operating Gallonage

63 U.S. Gal. (239 Liters)

Product Weight

BM90, BM95: 146 lb (66 kg)
BM85: 121 lb (55 kg)

Skirt Mounting

Not Available

Electrical Specifications Models BM90, BM95 only

Requires a dedicated GFCI protected separate circuit.

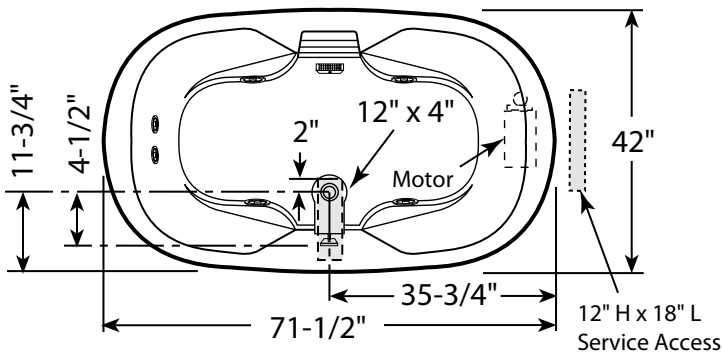
Motor/Pump: 120 VAC, 15 AMP, 60 Hz.

RapidHeat™: 120 VAC, 15 AMP, 60 Hz.

Heater (Optional) Models BM90, BM95 only

Requires a dedicated GFCI protected separate circuit.

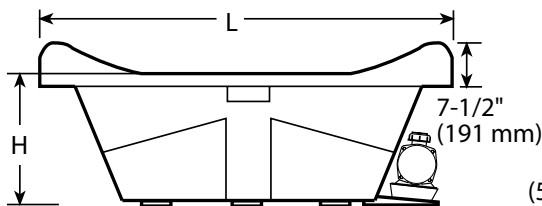
RapidHeat™: P/N S750000



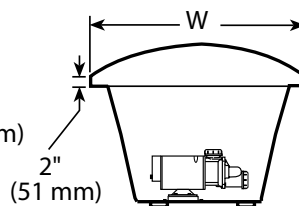
Product Shown: Fresco® Whirlpool Bath Right Hand Shown Model: BM90

* Measurements inside unit represent cutout in floor to allow for drain/overflow.

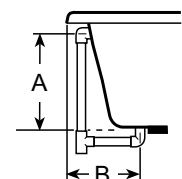
Minimum Service Access dimensions given.



SIDE VIEW



END VIEW



DRAIN/OVERFLOW