

luna® plus whirlpool bath

on crystal-clear nights, the romans worshipped luna—goddess of the moon. feel a bit worshipped yourself in our Luna® whirlpool.



The Luna® whirlpool bath surrounds you bathes you in the warmth of a thousand balmy summer nights. And Luna's simple styling meets the mood of most any décor with ease. So, turn down the lights, relax and revitalize.

features:

- 4 fully adjustable TheraPro™ jets
- 4 directionally adjustable AccuPro™ jets
- RapidHeat™ in-line heater
- Electronic on/off control with temperature readout
- Air flow adjustability
- Optional Chromatherapy underwater lighting

luna® plus whirlpool bath

model number: BP75, EN80

exterior dimensions:
72" long x 42" wide x 23" high

interior dimensions:
41" long x 21" wide

of Jets/type of Jets:
4 TheraPro™ Jets
4 AccuPro™ Back Jets

operating gallons:
96 gallons

Detail: The Luna® plus whirlpool bath's simple, oval shape is augmented by charming, classic detailing. Perfectly positioned, Jacuzzi® exclusive TheraPro™ jets collaborate with the contours of the tub to create the buoyancy that is the basis of hydrotherapy.





Luna® Plus Whirlpool Bath

Model: BP75, EN80

Ordering Information

Product Code:

BP75 Luna® 6 Whirlpool Bath
Right Hand
EN80 Luna® 6 Whirlpool Bath
Left Hand

- Center Drain Location
- Accessories / Hardware:
 - Trip-Lever Drain Kit #X559
 - Rotary Trip-Lever Drain Kit: #K606
 - HTC Jet Trim Kit: #D095
 - BMH Jet Trim Kit (2 Req'd): #J869
- Trim Kit Finishes Available:
 - (827) - Chrome
 - (898) - Brushed Chrome
 - (815) - Satin Nickel
 - (829) - Bright Brass
 - (805) - Platinum
 - (826) - Brushed Nickel
 - (845) - Oil Rubbed Bronze

Installation Notes

Refer to installation instructions included with fixture before beginning installation. Please confirm product availability and specifications before commencing with any installation work.

PRODUCT SPECIFICATIONS AND AVAILABILITY ARE SUBJECT TO CHANGE WITHOUT NOTICE.

Technical Specifications

Dimensions

72" L x 42" W x 23" H
(1829 mm) L x (1067 mm) W x (584 mm) H

Drain/Overflow

A: 19-1/8" (486 mm) B: 11" (279 mm)

Cutout

Template provided P/N P819000

Total Weight

1176 lb (533 kg) / 56 lb/sq. ft. (273 kg/m²)

Operating Gallonage

96 U.S. Gal. (363 Liters)
Max. 103 U.S. Gal. (379 Liters)

Product Weight

126 lb (57 kg)

Skirt Mounting

Not Available

Electrical Specifications

Requires a dedicated GFCI protected separate circuit.

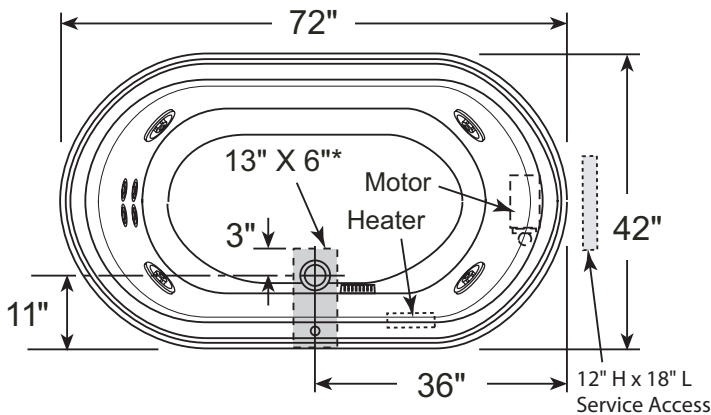
Motor/Pump: 120 VAC, 15 AMP, 60 Hz.

RapidHeat™: 120 VAC, 15 AMP, 60 Hz.

Heater (Standard)

Requires a dedicated GFCI protected separate circuit.

RapidHeat™: P/N S750000



Product Shown: Luna® 6 Plus Whirlpool Bath Right Hand Model: BP75

* Measurements inside unit represent cutout in floor to allow for drain/overflow.

Minimum Service Access dimensions given.

