

# morphosis® alpha

An unforgettable image. A design inspired by nature that envelopes, charms, and amazes.



## features

- Sculpted armrest.
- Contoured backrest.
- Digital controls.
- European design faucet and hand shower.
- Illumatherapy lighting system.
- Chrome trim kit.
- Factory installed RapidHeat™ Heater.
- Patented Silent Air Induction system.
- Slip-resistant bottom.
- Exclusive Wave Pulse® bath control system.
- Ideal for 2 people.
- 4 Fully adjustable TheraPro jets
- 6 Chromatherapy lights.
- 8 Back massage jets.

## morphosis® alpha

model number: **BR70**

exterior dimensions:  
**90.94" long x 41.73" wide x  
52.36" high**

interior dimensions:  
**47" long x 25" wide**

operating gallons:  
**90 gallons**

An unforgettable image.

The beginning of a new hydromassage concept. Conceived by renowned design house Pininfarina and inspired by nature that envelopes, charms, and amazes. The arch that runs above the whirlpool bath represents a lovingly protective gesture, an abstract concept of a seashell, of a sail or of contemporary architecture. The perfection of double whirlpool baths: a unique idea to be shared between the two of you.





# Morphosis™ Alpha Whirlpool Bath

Model: BR70

## Ordering Information

Product Code:

BR70 Morphosis™ Alpha Whirlpool Bath

Includes a required drain kit in chrome.  
Includes a faucet kit in chrome.

- Center Drain Location

## Installation Notes

Refer to installation instructions included with fixture before beginning installation. Please confirm product availability and specifications before commencing with any installation work.

PRODUCT SPECIFICATIONS AND AVAILABILITY ARE SUBJECT TO CHANGE WITHOUT NOTICE.

## Technical Specifications

### Dimensions

90.94" L x 41.73" W x 52.36" H  
(2310 mm) L x (1060 mm) W x (1330 mm) H

### Drain/Overflow

A: 13.82" (351 mm) B: 13.5" (343 mm)

### Cutout

Not Applicable

### Total Weight

TBD

### Operating Gallonage

90 U.S. Gal. (340 Liters)  
Min. 82 U.S. Gal. (310 Liters)  
Max. 91 U.S. Gal. (344 Liters)

### Product Weight

TBD

### Skirt Mounting

Integral

### Electrical Specifications

Requires a dedicated GFCI protected separate circuit.

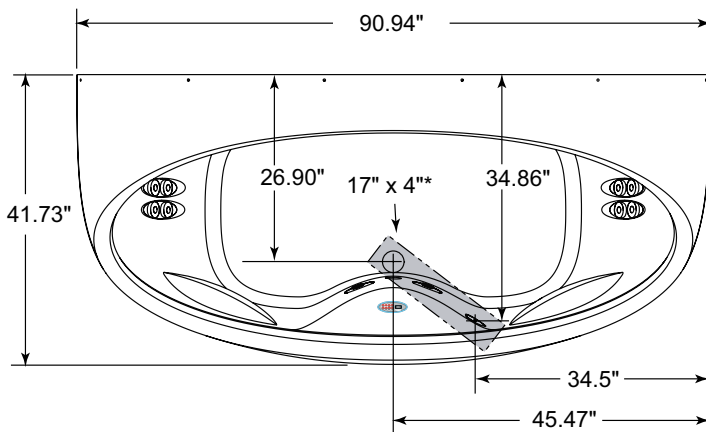
Motor/Pump: 120 VAC, 20 AMP, 60 Hz.

RapidHeat™: 120 VAC, 20 AMP, Hz

### Heater (Standard)

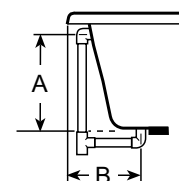
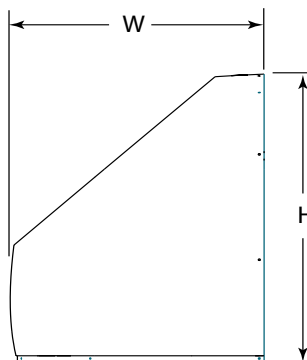
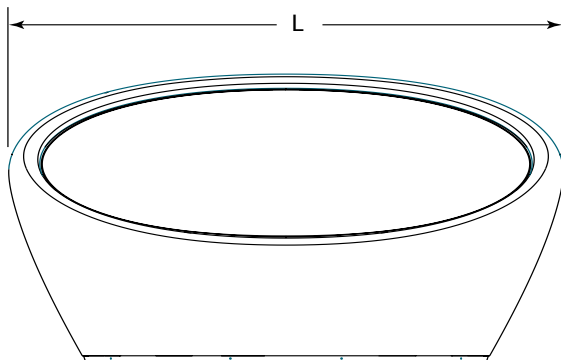
Requires a dedicated GFCI protected separate circuit.

RapidHeat™: P/N S750000



Product Shown: Morphosis™ Alpha Whirlpool Bath Model: BR70

\* Measurements inside unit represent cutout in floor to allow for drain/overflow.



DRAIN/OVERFLOW