



Detail: To further enhance the bathing experience, the Luminosa® is available with optional fiber-optic Illumatherapy™ jet lighting, which radiates through four of the six jets in a range of hundreds of colors. Jacuzzi® Illumatherapy™ lights are integrated into the jets so the interior of the bath remains sleek, stylish and uncluttered.

Our newest oval whirlpool bath, Luminosa®, is now available. Its gentle curves are highlighted by a spacious oval design built for two. The Luminosa® is the first Luxury model to feature six PowerPro® jets for maximum hydrotherapy. The 4 integrated armrests and 2 sloping backrests make the Luminosa the ideal jetted bath for romance. Chromatherapy lighting is standard, and exclusive Illumatherapy™ jet lighting is optional.

- 6 fully adjustable PowerPro® Jets with a maximum flow rate of 30 GPM per jet
- 2 kW Rapid Heat™ in-line heater
- Patented Silent Air™ induction system
- Slip resistant bottom
- Exclusive Tru-Level™ self-leveling base system
- Chromatherapy underwater lighting standard, exclusive Illumatherapy lighting optional
- Chrome trim kit standard

luminosa™ whirlpool bath

model number: BU25 LH, BY50 RH

exterior dimensions:
74½" long x 43¼" wide x 19" high

of Jets/type of Jets:
6 PowerPro™ Jets

operating gallons:
54 gallons

luminosa™ whirlpool bath with illumatherapy™

model number: BY51 LH, BY52 RH

exterior dimensions:
74½" long x 43¼" wide x 19" high

of Jets/type of Jets:
6 PowerPro™ Jets with exclusive illumatherapy lighting

operating gallons:
54 gallons





Luminosa™ Whirlpool Bath

Model: BU25, BY50

Luminosa™ Whirlpool Bath with Illumatherapy™

Model: BY51, BY52

Ordering Information

Product Code:

BU25 Luminosa™ Whirlpool Bath
Left Hand

BY50 Luminosa™ Whirlpool Bath
Right Hand

BY51 Luminosa™ Whirlpool Bath with
Illumatherapy™ Left Hand

BY52 Luminosa™ Whirlpool Bath with
Illumatherapy™ Right Hand

Includes a required drain kit in chrome.

• Accessories / Hardware:

Rotary Drain Kit, 26" Cable #8730
Trim kit: 6 HTC Jet Rings, 1 Control Panel
Overlay #7442

• Trim Kit Finishes Available:

(827) - Chrome (comes standard)
(898) - Brushed Chrome
(815) - Satin Nickel
(829) - Bright Brass
(805) - Platinum
(826) - Brushed Nickel
(845) - Oil Rubbed Bronze

Installation Notes

Refer to installation instructions included with fixture before beginning installation.
Please confirm product availability and specifications before commencing with any
installation work.

PRODUCT SPECIFICATIONS AND AVAILABILITY ARE SUBJECT TO CHANGE WITH-
OUT NOTICE.

Technical Specifications

Dimensions

74.5" L x 43.25" W x 19" H
(1892 mm) L x (1099 mm) W x (483 mm) H

Drain/Overflow

A: 14.88" (378 mm) B: 12" (305 mm)

Cutout

Template Provided Part Number: BU35000

Total Weight

967 lb (439 kg) / 43.2 lb/sq. ft. (210 kg/m²)

Operating Gallonage

Min-Max: 54-75 U.S. gal (204-284 liters)

Product Weight

144 lb (66 kg)

Skirt Mounting

Not Available

Electrical Specifications

Requires a dedicated GFCI protected separate circuit.

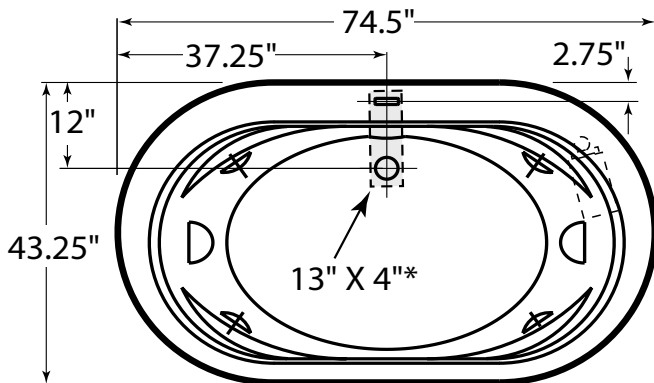
Motor/Pump: 120 VAC, 20 AMP, 60 Hz.

RapidHeat™: 120 VAC, 15 AMP, 60 Hz.

Heater

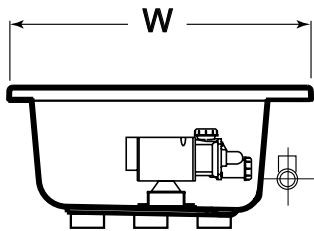
Requires a dedicated GFCI protected separate circuit.

RapidHeat™: P/N S750000

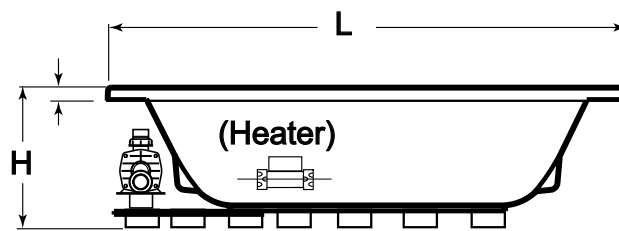


Product Shown: Luminosa™ Whirlpool Bath Left Hand Shown Model: BU25

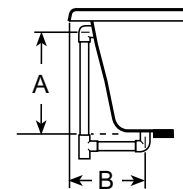
* Measurements inside unit represent cutout in floor to allow for drain/overflow.



END VIEW



(Motor) SIDE VIEW



DRAIN/OVERFLOW