



If you enjoy soaking in a warm, soothing tub surrounded by gently moving water, or if you prefer an invigorating foot and back massage, the Elara™ tub is right for you.

features:

- Multi-speed motor
- 4 fully adjustable TheraPro® jets
- 8 AccuPro™ back and foot jets
- 900 watt variable speed heated air blower
- Bottom air channels for maximum massage
- 256 color Chromatherapy lighting system
- All-in-one electronic control panel
- Drain-assist purge system
- Water level sensor
- Flexible installation drop-in or undermount options
- RapidHeat™ inline heater
- Low profile deck

elara™ 6636 salon™ spa
with chromatherapy

model number: DX60 - RH

exterior dimensions:

66" long x 36" wide x 26" high

of Jets/type of Jets:

4 TheraPro™

6 Back Jets

2 Foot Jets

operating gallons:

79 gallons



Ordering Information

Product Code:

DX60 Elara™ 6636 Salon™ Spa with Chromatherapy Right Hand

- Right Hand Drain Location
- Accessories / Hardware:
 - HTC Jet Trim Kit: #D095
 - BMH 2 Jet trim Kit: # J869
 - Sch 40, Rotary Drain Kit: #DA34
- Trim Kit Finishes Available:
 - (827) - Chrome
 - (898) - Brushed Chrome
 - (815) - Satin Nickel
 - (829) - Bright Brass
 - (805) - Platinum
 - (826) - Brushed Nickel
 - (845) - Oil Rubbed Bronze

Installation Notes

Refer to installation instructions included with fixture before beginning installation. Please confirm product availability and specifications before commencing with any installation work.

PRODUCT SPECIFICATIONS AND AVAILABILITY ARE SUBJECT TO CHANGE WITHOUT NOTICE.

Technical Specifications

Dimensions

66" L x 36" W x 26" H
(1676 mm) L x (914 mm) W x (660 mm) H

Drain/Overflow

A: 18-1/2" (470 mm) B: 9.6" (244 mm)

Cutout

64" (1626 mm) x 34" (864 mm) & undermount template DQ51000

Total Weight

847 lb. (384 kg) / 51.3 lb/ft² (250 kg/m²)

Operating Gallonage

79 U.S. Gal. (299 Liters)
Min. 75 U.S. Gal. (284 liters)
Max. 83 U.S. Gal. (314 liters)

Product Weight

164 lb. (74 kg)

Skirt Mounting

Not Available

Electrical Specifications

Requires a dedicated GFCI protected separate circuit.

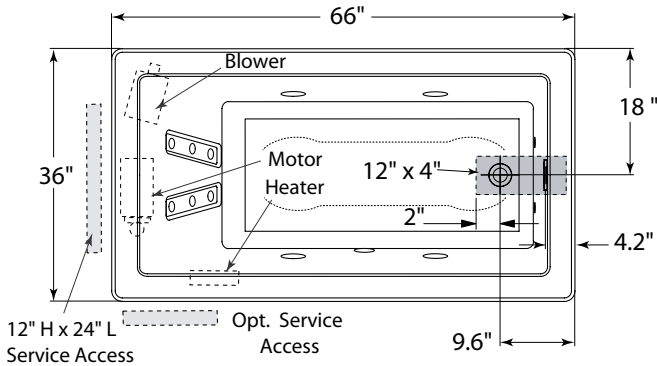
Blower: 120VAC, 20AMP, 60 Hz.

Motor/Pump and RapidHeat™: 240VAC, 20AMP, 60 Hz.

Heater (Standard)

Requires a dedicated GFCI protected separate circuit.

RapidHeat™: P/N BN60000



Product Shown: Elara™ 6636 Salon™ Spa with Chromatherapy Right Hand Model: DX60

* Measurements inside unit represent cutout in floor to allow for drain/overflow.

Minimum Service Access dimensions given.

