



Looking for a Jacuzzi® bath for two?  
Consider the Duetta™ Salon™ Spa,  
a lush, oval whirlpool designed for  
discerning bathers.

features:

- Multi-speed motor
- 4 fully adjustable TheraPro® jets
- 12 fully adjustable foot and back jets
- Flexible installation drop-in or undermount options
- 900 watt variable speed heated air blower
- Bottom air channels for maximum massage
- 256 color Chromatherapy lighting system
- All-in-one electronic control panel
- Low-profile deck
- Drain-assist purge system
- Water level sensors
- RapidHeat™ inline heater

duetta™ 6636 salon™ spa

model number: DZ20 - RH

exterior dimensions:  
66" long x 36" wide x 26" high

# of Jets/type of Jets:  
4 TheraPro™  
12 Back Jets

operating gallons:  
78 gallons





### Ordering Information

Product Code:  
DZ20 Duetta™ 6636 Salon™ Spa with Chromatherapy Right Hand

- Center Drain Location
- Accessories / Hardware:
  - HTC Jet Trim Kit: #D095
  - Sch 40, Rotary Drain Kit: #DA34
- Trim Kit Finishes Available:
  - (827) - Chrome
  - (898) - Brushed Chrome
  - (815) - Satin Nickel
  - (829) - Bright Nickel
  - (805) - Platinum
  - (826) - Brushed Nickel
  - (845) - Oil Rubbed Bronze

### Installation Notes

Refer to installation instructions included with fixture before beginning installation. Please confirm product availability and specifications before commencing with any installation work.

PRODUCT SPECIFICATIONS AND AVAILABILITY ARE SUBJECT TO CHANGE WITHOUT NOTICE.

### Technical Specifications

#### Dimensions

66" L x 36" W x 26" H  
(1676 mm) L x (914 mm) W x (660 mm) H

#### Drain/Overflow

A: 18.4" (467 mm) B: 11" (279 mm)

#### Cutout

Template Provided Part Number: DA08000

#### Total Weight

1028 lb (466 kg) / 62.3 lb/ft<sup>2</sup> (304 kg/m<sup>2</sup>)

#### Operating Gallonage

78 U.S. Gal. (295 Liters)  
Max: 80 U.S. Gal (303 liters)

#### Product Weight

160 lb (73 kg)

#### Skirt Mounting

Not Available

#### Electrical Specifications

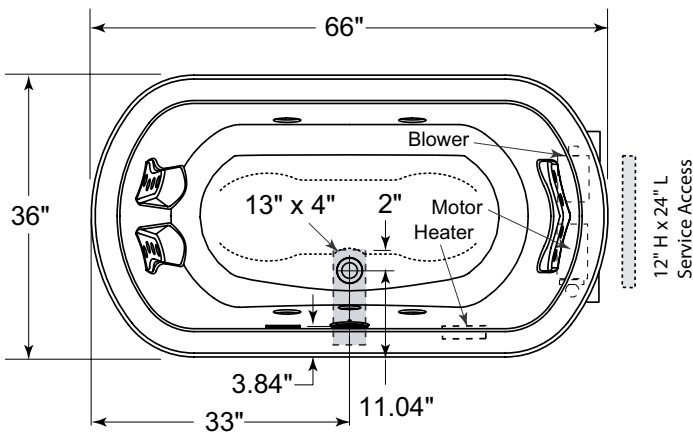
Requires a dedicated GFCI protected separate circuit.

Blower: 120VAC, 20AMP, 60 Hz.  
Motor/Pump and RapidHeat™: 240VAC, 20AMP, 60 Hz.

#### Heater (Standard)

Requires a dedicated GFCI protected separate circuit.

RapidHeat™: P/N BN60000



Product Shown: Duetta™ 6636 Salon™ Spa Right Hand Shown Model: DZ20

\* Measurements inside unit represent cutout in floor to allow for drain/overflow. Minimum Service Access dimensions given.

