

## mito™ 5 pure air® II bath

mito—in Italian, “myth.” our mito™—a pure air® II of fabled luxury.



Think of the Mito™ as a fantastic experience. Legendary hydrotherapy in a roomy, bow-tie shaped bathing well.

### features:

- Exclusive 360° Balanced Airflow™ system
- 600 watt variable speed heated air blower
- Thermal Lumbar Comfort™ (TLC)
- Timed purge cycle
- Safely use salts and aromatic oils

## mito™ 5 pure air® II bath

model number: EA70 – (RH pump),  
H519 – (LH pump)

exterior dimensions:

**60" long x 42" wide x 21" high**

interior dimensions:

**34½" long x 25½" wide x 22" wide**

operating gallons:

**56 gallons**

*Detail: The Mito® Pure Air II bath's sculpted interior features gracious curves, a deep bathing well, and integral armrests.*





# Mito™ 5 Pure Air II Bath

Model: EA70

## Ordering Information

Product Code:

EA70 Mito™ 5 Pure Air II Bath  
Right Hand

- Center Drain Location
- Accessories / Hardware:
  - Trip-Lever Drain Kit #X559
  - Rotary Drain Kit, 26" Cable #8730
- Trim Kit Finishes Available:
  - (827) - Chrome
  - (898) - Brushed Chrome
  - (815) - Satin Nickel
  - (829) - Bright Brass
  - (805) - Platinum
  - (826) - Brushed Nickel
  - (849) - Oil Rubbed Bronze

## Installation Notes

Refer to installation instructions included with fixture before beginning installation. Please confirm product availability and specifications before commencing with any installation work.

PRODUCT SPECIFICATIONS AND AVAILABILITY ARE SUBJECT TO CHANGE WITHOUT NOTICE.

Electrical Components and Electrical Specifications do not apply to non-jetted baths.

## Technical Specifications

### Dimensions

60" L x 42" W x 21" H  
(1524 mm) L x (1067 mm) W x (533 mm) H

### Drain/Overflow

A: 17-1/2" (445 mm) B: 11-7/8" (302 mm)

### Cutout

58" x 40" (1778 mm x 1016 mm)

### Total Weight

915 lb (415 kg) / 52 lb/ft<sup>2</sup> (255 kg/m<sup>2</sup>)

### Operating Gallonage

56 U.S. Gal. (212 Liters)

### Product Weight

109 lb (49 kg)

### Skirt Mounting

Optional U-Frame

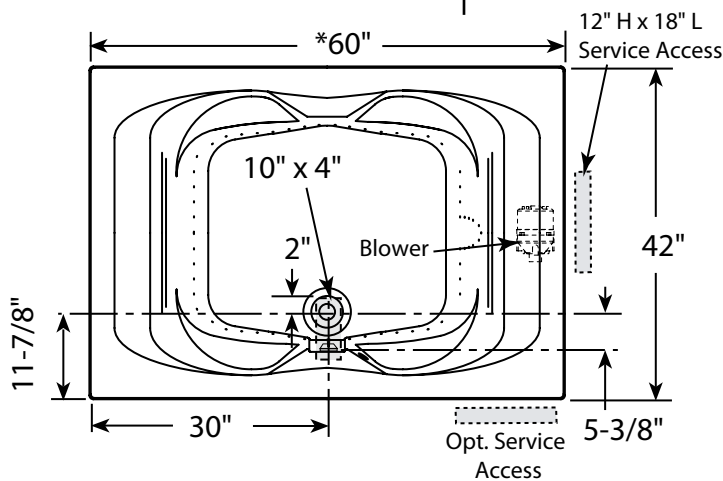
### Electrical Specifications Models

Requires a dedicated GFCI protected separate circuit.

Blower: 120 VAC, 15 AMP, 60 Hz.

### Heater

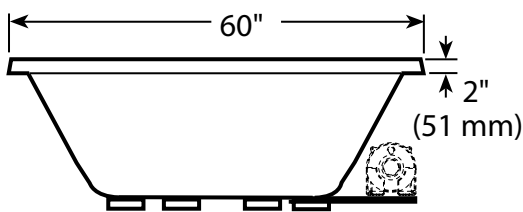
No water heater is available on this unit. Blower has integral air heater.



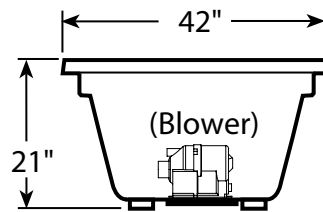
Product Shown: Mito™ 5 Pure Air II Bath Right Hand Shown Model: EA70

\* Measurements inside unit represent cutout in floor to allow for drain/overflow.

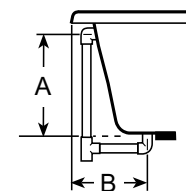
Minimum Service Access dimensions given.



SIDE VIEW



END VIEW



DRAIN/OVERFLOW