

Luna® pure air® II bath

on crystal-clear nights, the romans worshipped luna—goddess of the moon. feel a bit worshipped yourself in our Luna® pure air® II.



The Luna® whirlpool bath surrounds you, bathes you in the warmth of a thousand balmy summer nights. And Luna's simple styling meets the mood of most any décor with ease. So, turn down the lights, relax and revitalize.

features:

- Exclusive 360° Balanced Airflow™ system
- 600 watt variable speed heated air blower
- Thermal Lumbar Comfort™ (TLC)
- Timed purge cycle
- Safely use salts and aromatic oils

Luna® pure air® II bath

model number: **EB20**

exterior dimensions:
72" long x 42" wide x 23" high

interior dimensions:
41" long x 21" wide

operating gallons:
79 gallons





Luna® Pure Air® II Bath

Model: EB20

Ordering Information

Product Code:
EB20 Luna® Pure Air® II Bath
Right Hand

- Center Drain Location
- Accessories / Hardware:
 - Trip-Lever Drain Kit: #X559
 - Rotary Drain Kit, 26" Cable: #8730
- Trim Kit Finishes Available:
 - (827) - Chrome
 - (898) - Brushed Chrome
 - (815) - Satin Nickel
 - (829) - Bright Brass
 - (805) - Platinum
 - (826) - Brushed Nickel
 - (845) - Oil Rubbed Bronze

Installation Notes

Refer to installation instructions included with fixture before beginning installation. Please confirm product availability and specifications before commencing with any installation work.

PRODUCT SPECIFICATIONS AND AVAILABILITY ARE SUBJECT TO CHANGE WITHOUT NOTICE.

Technical Specifications

Dimensions

72" L x 42" W x 23" H
(1829 mm) L x (1118 mm) W x (584 mm) H

Drain/Overflow

A: 19-1/8" (486 mm) B: 11" (279 mm)

Cutout

Template Provided: P/N P819000

Total Weight

1290 lb (585 kg) / 61 lb/ft² (300 kg/m²)

Operating Gallonage

79 U.S. Gal. (299 Liters)
Min. 55 U.S. Gal. (208 Liters)
Max 103 U.S. Gal. (390 Liters)

Product Weight

132 lb (60 kg)

Skirt Mounting

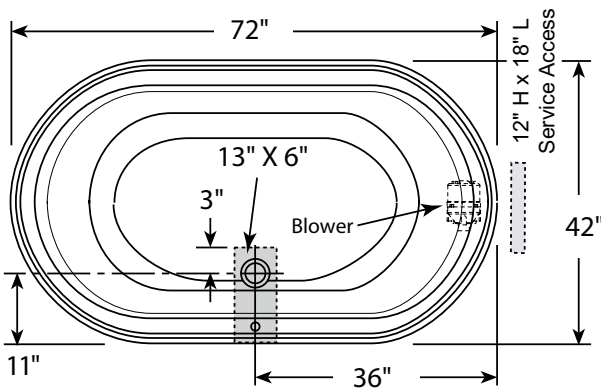
Not Available

Electrical Specifications

Requires a dedicated GFCI protected separate unit.
Blower: 120 VAC, 15 AMP, 60 Hz.

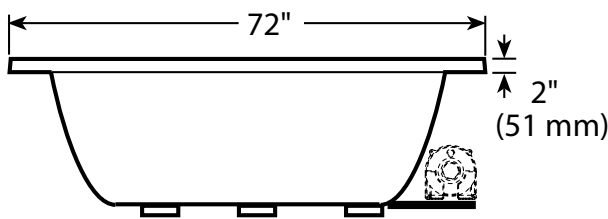
Heater

No water heater is available on this unit. Blower has integral air heater.

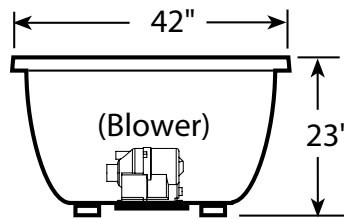


Product Shown: Luna® Pure Air® II Bath Right Hand Shown Model: EB20

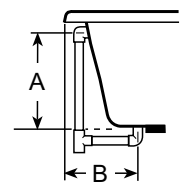
* Measurements inside unit represent cutout in floor to allow for drain/overflow. Minimum Service Access dimensions given.



SIDE VIEW



END VIEW



DRAIN/OVERFLOW