

## cetra® 532 pure air® II bath

*from the ancient hymns of the greek gods comes cetra—Italian for “lyre”.*



Like its namesake, the Cetra® whirlpool bath is an undeniable classic.

features:

- Exclusive 360° Balanced Airflow™ system
- 600 watt variable speed heated air blower
- Thermal Lumbar Comfort™ (TLC)
- Timed purge cycle
- Safely use salts and aromatic oils

### cetra® 532 pure air® II bath

model number: EB30 – LH

exterior dimensions:  
**60" long x 31<sup>7</sup>/<sub>8</sub>" wide x 21<sup>1</sup>/<sub>4</sub>" high**

interior dimensions:  
**42" long x 18" wide**

operating gallons:  
**52 gallons**





# Cetra® 532 Pure Air® II Bath

Model: EB30

## Ordering Information

Product Code:

EB30 Cetra® 532 Pure Air® II Bath  
Left Hand

- Left hand Drain Location
- Accessories / Hardware:
  - Trip-Lever Drain Kit: #X559
  - Rotary Drain Kit, 26" Cable: #8730
- Trim Kit Finishes Available:
  - (827) - Chrome
  - (898) - Brushed Chrome
  - (815) - Satin Nickel
  - (829) - Bright Brass
  - (805) - Platinum
  - (826) - Brushed Nickel
  - (845) - Oil Rubbed Bronze

## Installation Notes

Refer to installation instructions included with fixture before beginning installation. Please confirm product availability and specifications before commencing with any installation work.

PRODUCT SPECIFICATIONS AND AVAILABILITY ARE SUBJECT TO CHANGE WITHOUT NOTICE.

## Technical Specifications

### Dimensions

60" L x 31-7/8" W x 21-1/4" H  
(1524 mm) L x (791 mm) W x (533 mm) H

### Drain/Overflow

A: 18-1/2" (470 mm) B: 9" (229 mm)

### Cutout

58" x 30-1/4"  
(1473 mm x 768.4 mm)

### Total Weight

771 lb (350 kg) / 58 lb/ft<sup>2</sup> (283 kg/m<sup>2</sup>)

### Operating Gallonage

52 U.S. Gal. (178 Liters)  
Min. 47 U.S. Gal. (178 Liters)  
Max. 57 U.S. Gal. (216 Liters)

### Product Weight

98 lb (44 kg)

### Skirt Mounting

Optional U-Frame

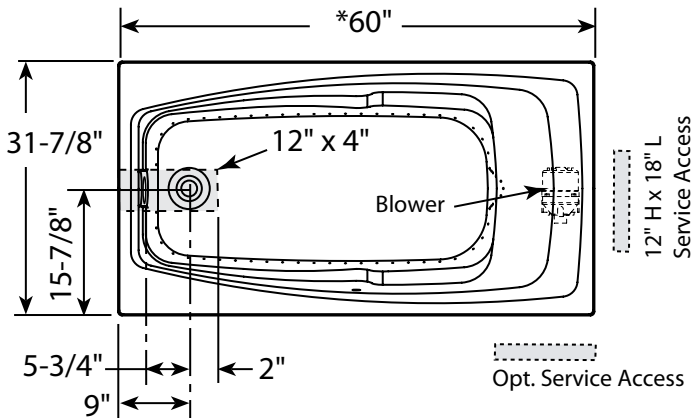
### Electrical Specifications

Requires a dedicated GFCI protected separate circuit.

Blower: 120 VAC, 15 AMP, 60 Hz.

### Heater

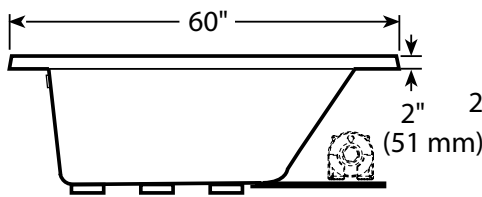
No water heater is available on this unit. Blower has integral air heater.



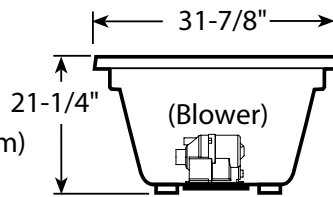
Product Shown: Cetra® 532 Pure Air® II Bath Left Hand Model: EB30

\* Measurements inside unit represent cutout in floor to allow for drain/overflow.

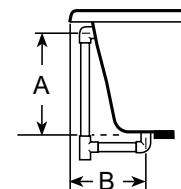
Minimum Service Access dimensions given.



END VIEW



SIDE VIEW



DRAIN/OVERFLOW