

# allusion® 7242 whirlpool and bath soaking bath

an allusion is a "hint," a "reference." the allusion® whirlpool bath is a true glimpse of the good life.



With clean, contemporary, minimalist lines, the Allusion® family of products makes a striking statement one that speaks to more than a hint of style.

features:

- 4 fully adjustable TheraPro™ jets
- 6 fully adjustable back jets
- Multi-speed motor
- RapidHeat™ in-line heater
- 256 color Chromatherapy lighting system
- Wave Pulse™ system
- Water-level sensor
- All-in-one electronic control panel

## allusion® 7242 whirlpool bath

model number: ED75

exterior dimensions:  
72" long x 42" wide x 26" high

# of Jets/type of Jets:  
4 TheraPro™ Jets,  
6 Back Jets

operating gallons:  
87 gallons

## allusion® 7242 soaker bath

model number: BA05

exterior dimensions:  
72" long x 42" wide x 26" high

**Detail:** The Allusion® whirlpool bath features Jacuzzi's exclusive Wave Pulse™ digital control system—for precise control of your bathing experience. A triad of Jacuzzi® jets at the back of Allusion's sloped form makes for an invigorating massage.





# Allusion® 7242 Whirlpool Bath

Model: ED75

# Allusion® 7242 Bath

Model: BA05

## Ordering Information

Product Code:

ED75 Allusion® 7242 Whirlpool Bath Right Hand

BA05 Allusion® 7242 Bath

- Center Drain Location
- Accessories / Hardware:
  - HTC Jet Trim Kit: #D095
  - Rotary Drain Kit, 26" Cable: #8730
- Trim Kit Finishes Available:
  - (827) - Chrome
  - (898) - Brushed Chrome
  - (815) - Satin Nickel
  - (829) - Bright Brass
  - (805) - Platinum
  - (826) - Brushed Nickel
  - (845) - Oil Rubbed Bronze

## Installation Notes

Refer to installation instructions included with fixture before beginning installation. Please confirm product availability and specifications before commencing with any installation work.

PRODUCT SPECIFICATIONS AND AVAILABILITY ARE SUBJECT TO CHANGE WITHOUT NOTICE.

## Technical Specifications

### Dimensions

72" L x 42" W x 26" H  
(1829 mm) L x (1067 mm) W x (660 mm) H

### Drain/Overflow

A: 17-3/8" (441 mm) B: 11-15/16" (210 mm)

### Cutout

Template provided Part Number BY20000

### Total Weight

ED75: 1127 lb (511 kg) / 54 lb/sq. ft. (264 kg/m<sup>2</sup>)  
BA05: 1106 lb (501 kg) / 53 lb/sq. ft. (257 kg/m<sup>2</sup>)

### Operating Gallonage

87 U.S. Gal. (329 Liters)  
Min. 75 U.S. Gal. (284 Liters)  
Max. 99 U.S. Gal. (375 liters)

### Product Weight

ED75: 169 lb (77 kg)  
BA05: 100 lb (45 kg)

### Skirt Mounting

Not Available

### Electrical Specifications Model ED75 only

Requires a dedicated GFCI protected separate circuit.

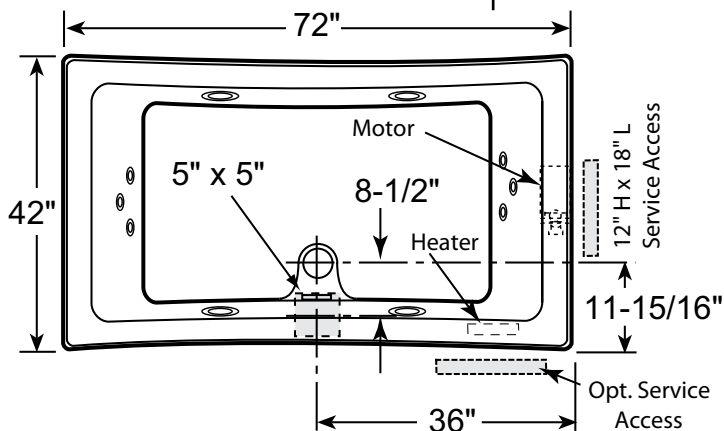
Motor/Pump: 120 VAC, 20 AMP, 60 Hz.

RapidHeat™: 120 VAC, 15 AMP, 60 Hz.

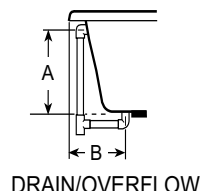
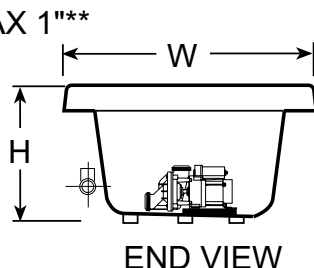
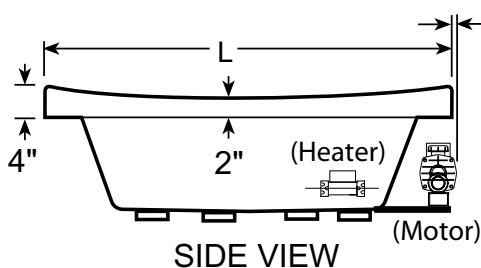
### Heater (Standard) Model ED75 only

Requires a dedicated GFCI protected separate circuit.

RapidHeat™: P/N S750000



Product Shown: Allusion® 7242 Whirlpool Bath Right Hand Shown Model: ED75  
\* Measurements inside unit represent cutout in floor to allow for drain/overflow. Minimum Service Access dimensions given.



\*\* See Install manual for installations instructions.