

allusion® 7236 whirlpool bath and soaking bath

an allusion is a "hint," a "reference." the allusion® whirlpool bath is a true glimpse of the good life.



With clean, contemporary, minimalist lines, the Allusion® family of products makes a striking statement — one that speaks to more than a hint of style.

features:

- 4 fully adjustable TheraPro™ jets
- 6 fully adjustable back jets
- Multi-speed motor
- RapidHeat™ in-line heater
- 256 color Chromatherapy lighting system
- Wave Pulse™ system
- Water-level sensor
- All-in-one electronic control panel

allusion® 7236 whirlpool bath

model number: ED80

exterior dimensions:
72" long x 36" wide x 26" high

of Jets/type of Jets:
4 TheraPro™ Jets,
6 Back Jets

operating gallons:
75 gallons

allusion® 7236 soaker bath

model number: BA06

exterior dimensions:
72" long x 36" wide x 26" high

Detail: The Allusion® whirlpool bath features Jacuzzi's exclusive Wave Pulse™ digital control system—for precise control of your bathing experience. A triad of Jacuzzi® jets at the back of Allusion's sloped form makes for an invigorating massage.





Allusion® 7236 Whirlpool Bath

Model: ED80

Allusion® 7236 Bath

Model: BA06

Ordering Information

Product Code:

ED80 Allusion® 7236 Whirlpool Bath
Right Hand

BA06 Allusion® 7236 Bath

- Center Drain Location
- Accessories / Hardware:
 - HTC Jet Trim Kit: #D095
 - Rotary Drain Kit, 26" Cable: #8730
- Trim Kit Finishes Available:
 - (827) - Chrome
 - (898) - Brushed Chrome
 - (815) - Satin Nickel
 - (829) - Bright Brass
 - (805) - Platinum
 - (826) - Brushed Nickel
 - (845) - Oil Rubbed Bronze

Installation Notes

Refer to installation instructions included with fixture before beginning installation. Please confirm product availability and specifications before commencing with any installation work.

PRODUCT SPECIFICATIONS AND AVAILABILITY ARE SUBJECT TO CHANGE WITHOUT NOTICE.

Technical Specifications

Dimensions

72" L x 36" W x 26" H
(1829 mm) L x (914 mm) W x (660 mm) H

Drain/Overflow

A: 17-3/8" (441 mm) B: 11-15/16" (210 mm)

Cutout

Template provided Part Number BY20000

Total Weight

ED80: 978 lb (444 kg) / 54 lb/sq. ft. (264 kg/m²)
BA06: 876 lb (397 kg) / 49 lb/sq. ft. (238 kg/m²)

Operating Gallonage

75 U.S. Gal. (284 Liters)
Min. 65 U.S. Gal. (246 Liters)
Max: 85 U.S. Gal. (322 liters)

Product Weight

ED80: 145 lb (66 kg)
BA06: 95 lb (43 kg)

Skirt Mounting

Not Available

Electrical Specifications Model ED80 only

Requires a dedicated GFCI protected separate circuit.

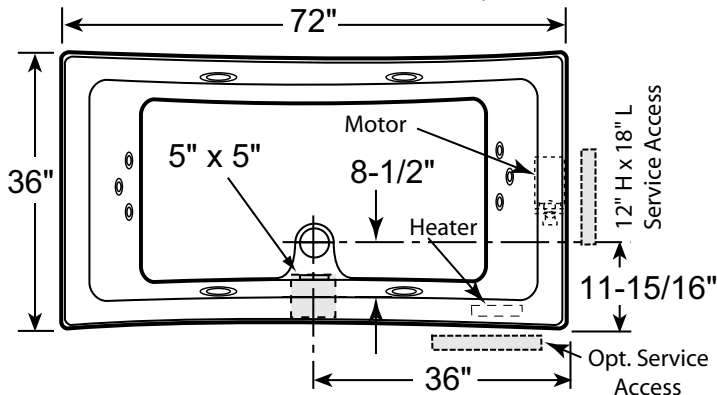
Motor/Pump: 120 VAC, 20 AMP, 60 Hz.

RapidHeat™: 120 VAC, 15 AMP, 60 Hz.

Heater (Standard) Model ED80 only

Requires a dedicated GFCI protected separate circuit.

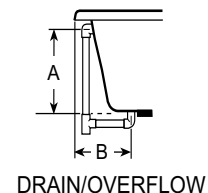
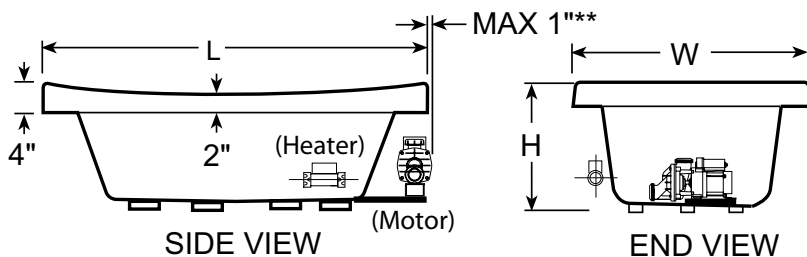
RapidHeat™: P/N S750000



Product Shown: Allusion® 7236 Whirlpool Bath Right Hand Shown Model: ED80

* Measurements inside unit represent cutout in floor to allow for drain/overflow.

Minimum Service Access dimensions given.



** See Install manual for installations instructions.