

allusion® 6636 whirlpool bath and soaking bath

an allusion is a "hint," a "reference." the allusion® whirlpool bath is a true glimpse of the good life.



With clean, contemporary, minimalist lines, the Allusion® family of products makes a striking statement - one that speaks to more than a hint of style.

features:

- 4 fully adjustable TheraPro™ jets
- 6 fully adjustable back jets
- Multi-speed motor
- RapidHeat™ in-line heater
- 256 color Chromatherapy lighting system
- Wave Pulse™ system
- Water-level sensor
- All-in-one electronic control panel

allusion® 6636 whirlpool bath

model number: **ED85**

exterior dimensions:
66" long x 36" wide x 26" high

of Jets/type of Jets:
**4 TheraPro™ Jets,
6 Back Jets**

operating gallons:
65 gallons

allusion® 6636 soaking bath

model number: **BA07**

exterior dimensions:
66" long x 36" wide x 26" high

Detail: The Allusion® whirlpool bath features Jacuzzi's exclusive Wave Pulse™ digital control system—for precise control of your bathing experience. A triad of Jacuzzi® jets at the back of Allusion's sloped form makes for an invigorating massage.





Allusion® 6636 Whirlpool Bath

Model: ED85

Allusion® 6636 Bath

Model: BA07

Ordering Information

Product Code:

ED85 Allusion® 6636 Whirlpool Bath Right Hand

BA07 Allusion® 6636 Bath

- Center Drain Location
- Accessories / Hardware:
 - HTC Jet Trim Kit: #D095
 - Rotary Drain Kit, 26" Cable: #8730
- Trim Kit Finishes Available:
 - (827) - Chrome
 - (898) - Brushed Chrome
 - (815) - Satin Nickel
 - (829) - Bright Brass
 - (805) - Platinum
 - (826) - Brushed Nickel
 - (845) - Oil Rubbed Bronze

Installation Notes

Refer to installation instructions included with fixture before beginning installation. Please confirm product availability and specifications before commencing with any installation work.

PRODUCT SPECIFICATIONS AND AVAILABILITY ARE SUBJECT TO CHANGE WITHOUT NOTICE.

Technical Specifications

Dimensions

66" L x 36" W x 26" H
(1829 mm) L x (914 mm) W x (660 mm) H

Drain/Overflow

A: 17-3/8" (441 mm) B: 11-15/16" (210 mm)

Cutout

Template provided Part Number BY20000

Total Weight

ED85: 843 lb (383 kg) / 51 lb/sq. ft. (249 kg/m²)
BA07: 771 lb (350 kg) / 47 lb/sq. ft. (228 kg/m²)

Operating Gallonage

65 U.S. Gal. (246 Liters)
Min. 55 U.S. Gal. (208 Liters)
Max. 75 U.S. Gal. (284 Liters)

Product Weight

ED85: 135 lb (61 kg)
BA07: 90 lb (41 kg)

Skirt Mounting

Not Available

Electrical Specifications Model ED85 only

Requires a dedicated GFCI protected separate circuit.

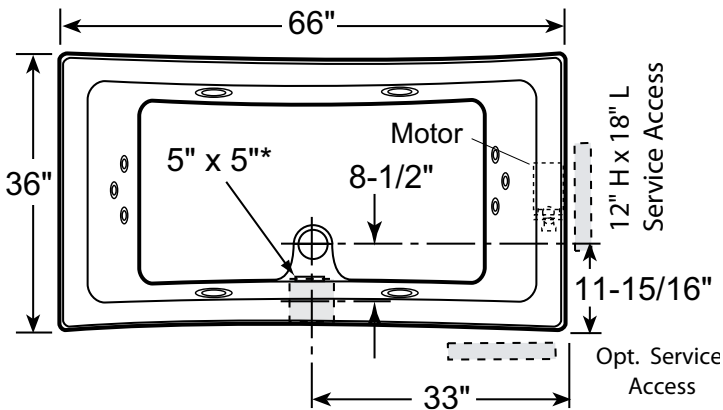
Motor/Pump: 120 VAC, 20 AMP, 60 Hz.

RapidHeat™: 120 VAC, 15 AMP, 60 Hz.

Heater (Standard) Model ED85 only

Requires a dedicated GFCI protected separate circuit.

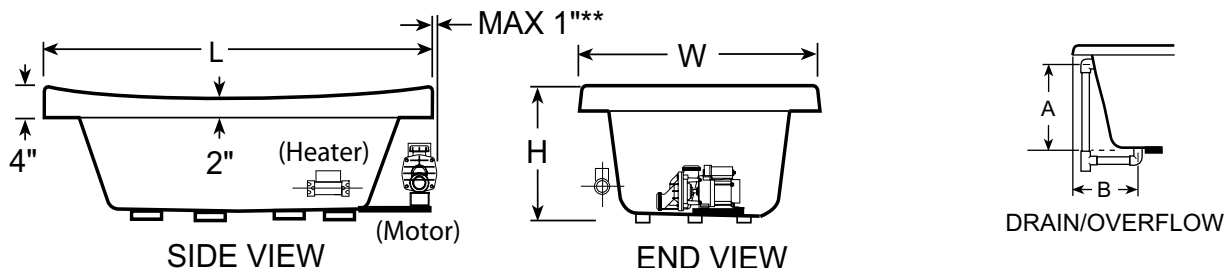
RapidHeat™: P/N S750000



Product Shown: Allusion® 6636 Whirlpool Bath Right Hand Shown Model: ED85

* Measurements inside unit represent cutout in floor to allow for drain/overflow.

Minimum Service Access dimensions given.



** See Install manual for installations instructions.