

# bellavista™ 5.5 whirlpool bath and soaking bath

to the Italians, literally "beautiful view." to you, a wonderful place to gain relaxed, revitalized perspective.



In Italy, it means beautiful view. To you, a wonderful place to regain relaxed, revitalized perspective.

#### features:

- 4 fully adjustable PowerPro® jets
- 4 spinning neck jets
- 2 directionally adjustable AccuPro™ foot jets
- Sculpted armrest and contoured backrest
- Multi-speed motor
- 256 Chromatherapy lighting system
- Wave Pulse™ system
- All-in-one electronic control panel
- Water-level sensor

## bellavista™ 5.5 whirlpool bath

model number: EE15

exterior dimensions:  
66" long x 42" wide x 26" high

interior dimensions:  
46" long x 24" wide

# of Jets/type of Jets:  
4 PowerPro® Jets,  
4 Spinning Neck Jets,  
2 AccuPro™ Foot Jets

operating gallons:  
85 gallons

## bellavista™ 5.5 soaking bath

model number: Y890

exterior dimensions:  
66" long x 42" wide x 26" high

interior dimensions:  
46" long x 24" wide

*Detail: The Bellavista™ whirlpool bath's perfectly placed PowerPro® and AccuPro™ jets work in concert with a deeply contoured backrest to offer the ultimate in hydrotherapy.*





# Bellavista™ 5.5 Whirlpool Bath

Model: EE15

# Bellavista™ 5.5 Bath

Model: Y890

## Ordering Information

Product Code:

EE15 Bellavista™ 5.5 Whirlpool Bath  
Right Hand  
Y890 Bellavista™ 5.5 Bath

- Center Drain Location
- Accessories / Hardware:
  - HTA Jet Ring Kit: #M952
  - BMH Jet Ring Kit: #J869
  - 2 x Neck Jet Ring Trim Kit: #P556
  - Oval Trim Kit: #N557
  - Rotary Drain Kit, 30" Cable: #K606
- Trim Kit Finishes Available:
  - (827) - Chrome
  - (898) - Brushed Chrome
  - (815) - Satin Nickel
  - (829) - Bright Brass
  - (805) - Platinum
  - (826) - Brushed Nickel
  - (845) - Oil Rubbed Bronze

## Installation Notes

Refer to installation instructions included with fixture before beginning installation. Please confirm product availability and specifications before commencing with any installation work.

PRODUCT SPECIFICATIONS AND AVAILABILITY ARE SUBJECT TO CHANGE WITHOUT NOTICE.

## Technical Specifications

### Dimensions

66" L x 42" W x 26" H  
(1676 mm) L x (1067 mm) W x (660 mm) H

### Drain/Overflow

A: 20" (508 mm) B: 11-3/4" (298 mm)

### Cutout

Template Provided P/N P187000

### Total Weight

EE15: 1078 lb (489 kg) / 56 lb/sq. ft. (273 kg/m<sup>2</sup>)  
Y890: 1078 lb (489 kg) / 56 lb/sq. ft. (273 kg/m<sup>2</sup>)

### Operating Gallonage

85 U.S. Gal. (322 Liters)

### Product Weight

EE15: 120 lb (56 kg)  
Y890: 120 lb (56 kg)

### Skirt Mounting

Not Available

### Electrical Specifications Model EE15 only

Requires a dedicated GFCI protected separate circuit.

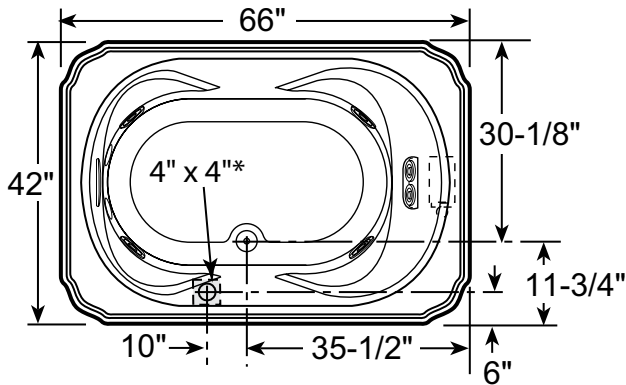
Motor/Pump: 120 VAC, 20 AMP, 60 Hz.

RapidHeat™: 120 VAC, 15 AMP, 60 Hz.

### Heater (Standard) Model EE15 only

Requires a dedicated GFCI protected separate circuit.

RapidHeat™: P/N S750000



Product Shown: Bellavista™ 5.5 Bath Right Hand Shown Model: EE15

\* Measurements inside unit represent cutout in floor to allow for drain/overflow.

Minimum Service Access dimensions given.

