

cortina® whirlpool bath

mountainous, pristine cortina—Italy's winter playground—serves as fitting inspiration for our cortina®, a whirlpool bath of extraordinary luxury.



Like its namesake, the Cortina® whirlpool bath is a welcome escape a holiday for the senses.

features:

- 4 PowerPro® jets
- 4 directionally adjustable AccuPro™ body and side jets
- Integral seat
- Contoured backrest
- Multi-speed motor
- RapidHeat™ inline heater
- 256 Chromatherapy lighting system
- Wave Pulse™ system
- All-in-one electronic control panel
- Water level system

cortina® whirlpool bath

model number: EE35

exterior dimensions:

72" long x 72" wide x 22¼" high

interior dimensions:

51" long x 42" wide

of Jets/type of Jets:

4 PowerPro® Jets,

4 Body and Side Jets

operating gallons:

100 gallons



Detail: The Cortina® whirlpool bath features Jacuzzi's digital Wave Pulse™ bathing control system, and a uniquely contoured integral seating area.





Cortina® Whirlpool Bath

Model: EE35

Ordering Information

Product Code:

EE35 Cortina® Whirlpool Bath
Right Hand

- Center Drain Location
- Accessories / Hardware:
 - Trim Kit: 2 X BMH Jet Rings #J869
 - Trim Kit: 4 X HTA Jet Rings #M952
 - Trip-Lever Drain Kit #X559
 - Rotary Drain Kit, 26" Cable #8730
 - Oval Trim Kit #N557
- Trim Kit Finishes Available:
 - (827) - Chrome
 - (898) - Brushed Chrome
 - (815) - Satin Nickel
 - (829) - Bright Brass
 - (805) - Platinum
 - (826) - Brushed Nickel
 - (849) - Oil Rubbed Bronze

Installation Notes

Refer to installation instructions included with fixture before beginning installation. Please confirm product availability and specifications before commencing with any installation work.

PRODUCT SPECIFICATIONS AND AVAILABILITY ARE SUBJECT TO CHANGE WITHOUT NOTICE.

Technical Specifications

Dimensions

72" L x 72" W x 22-1/4" H
(1829 mm) L x (1829 mm) W x (565 mm) H

Drain/Overflow

A: 16-3/4" (426 mm) B: 19-1/4" (489 mm)

Cutout

70" Dia. Hole

Total Weight

1293 lb (587 kg) / 36 lb/sq. ft. (176 kg/m²)

Operating Gallonage

100 U.S. Gal. (379 Liters)

Product Weight

210 lb (95 kg)

Skirt Mounting

Not Available

Electrical Specifications

Requires a dedicated GFCI protected separate circuit.

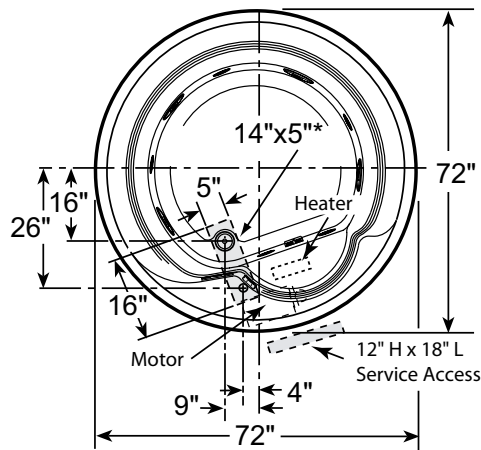
Motor/Pump: 120 VAC, 20 AMP, 60 Hz.

RapidHeat™: 120 VAC, 15 AMP, 60 Hz.

Heater (Standard)

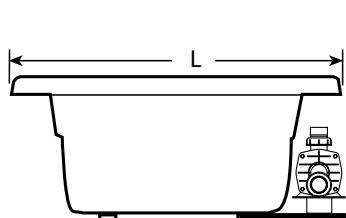
Requires a dedicated GFCI protected separate circuit.

RapidHeat™: P/N U395000

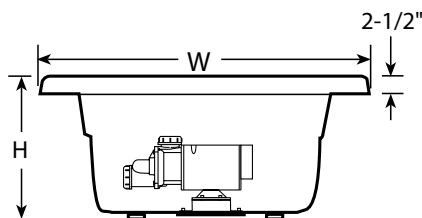


Product Shown: Cortina® Whirlpool Bath Right Hand Shown Model: EE35

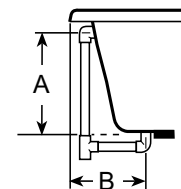
* Measurements inside unit represent cutout in floor to allow for drain/overflow.



SIDE VIEW



END VIEW



DRAIN/OVERFLOW