



Looking for a Jacuzzi® bath for two?  
Consider the Duetta™, a lush, oval whirlpool  
designed for discerning bathers.

features:

- 4 fully adjustable TheraPro® jets
- 8 to 12 fully adjustable foot and back jets
- Illumatherapy™ jet lighting optional
- Flexible installation drop-in or undermount options
- Low-profile deck
- Multi-speed motor
- RapidHeat™ inline heater
- 256 Chromatherapy lighting system
- Wave Pulse™ system
- Water level sensors
- All-in-one electronic control panel

**duetta™ 6042 with chromatherapy**

model number: EE40 - RH

exterior dimensions:  
60" long x 42" wide x 26" high

# of Jets/type of Jets:  
**4 TheraPro™**  
**8 Back Jets**

operating gallons:  
80 gallons

**duetta™ 6042 with illumatherapy™**

model number: EE45 - RH

exterior dimensions:  
60" long x 42" wide x 26" high

# of Jets/type of Jets:  
**4 TheraPro™**  
**12 Back Jets**

operating gallons:  
80 gallons





# Duetta™ 6042 Whirlpool Bath with Chromatherapy

Model: EE40

# Duetta™ 6042 Whirlpool Bath with Illumatherapy™

Model: EE45

## Ordering Information

Product Code:

EE40 Duetta™ 6042 Whirlpool Bath with Chromatherapy™ Right Hand

EE45 Duetta™ 6042 Whirlpool Bath with Illumatherapy™ Right Hand

- Center Drain Location
- Accessories / Hardware:
  - HTC Jet Trim Kit: #D095
  - Oval Trim Kit: #N557
- Trim Kit Finishes Available:
  - (827) - Chrome
  - (898) - Brushed Chrome
  - (815) - Satin Nickel
  - (829) - Bright Brass
  - (805) - Platinum
  - (826) - Brushed Nickel
  - (845) - Oil Rubbed Bronze

## Installation Notes

Refer to installation instructions included with fixture before beginning installation. Please confirm product availability and specifications before commencing with any installation work.

PRODUCT SPECIFICATIONS AND AVAILABILITY ARE SUBJECT TO CHANGE WITHOUT NOTICE.

## Technical Specifications

### Dimensions

60" L x 42" W x 26" H  
(1524 mm) L x (1067 mm) W x (660 mm) H

### Drain/Overflow

A: 18.4" (467 mm) B: 11" (279 mm)

### Cutout

Template Provided Part Number: DA09000

### Total Weight

999 lb (453 kg) / 57.1 lb/ft<sup>2</sup> (279 kg/m<sup>2</sup>)

### Operating Gallage

80 U.S. Gal. (303 Liters)  
Min. 77 U.S. Gal. (291 Liters)  
Max: 83 U.S. Gal. (314 Liters)

### Product Weight

110 lb (50 kg)

### Skirt Mounting

Not Available

### Electrical Specifications

**Requires a dedicated GFCI protected separate circuit.**

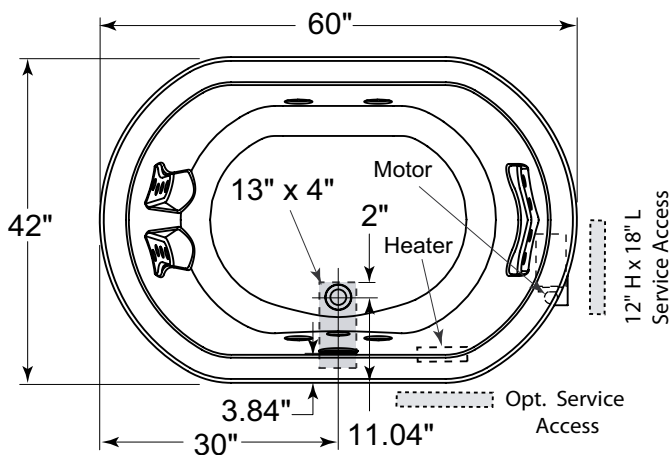
Motor/Pump: 120 VAC, 20 AMP, 60 Hz.

RapidHeat™: 120 VAC, 15 AMP, 60 Hz.

### Heater (Standard)

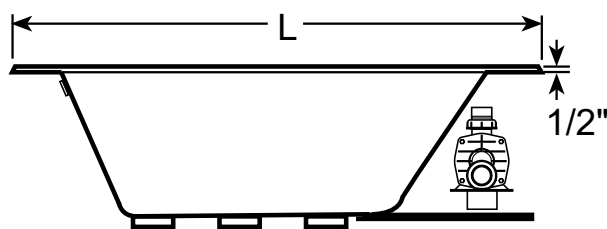
**Requires a dedicated GFCI protected separate circuit.**

RapidHeat™: P/N S750000

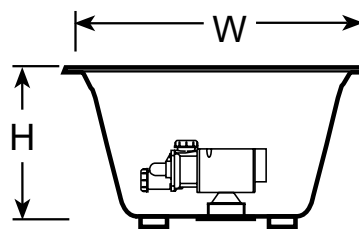


Product Shown: Duetta™ 6042 Whirlpool Bath Right Hand Model: EE45

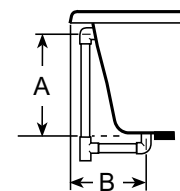
\* Measurements inside unit represent cutout in floor to allow for drain/overflow. Minimum Service Access dimensions given.



SIDE VIEW



END VIEW



DRAIN/OVERFLOW