



Looking for a Jacuzzi® bath for two?
Consider the Duetta™, a lush, oval whirlpool
designed for discerning bathers.

features:

- 4 fully adjustable TheraPro® jets
- 8 to 12 fully adjustable foot and back jets
- 256 Chromatherapy lighting system
- Illumatherapy™ jet lighting optional
- Flexible installation drop-in or undermount options
- Low-profile deck
- Multi-speed motor
- RapidHeat™ inline heater
- Wave Pulse™ system
- Water level sensors
- All-in-one electronic control panel

**duetta™ 6636 with
chromatherapy**

model number: EE50 - RH

exterior dimensions:
66" long x 36" wide x 26" high

of Jets/type of Jets:
4 TheraPro™
8 Back Jets

operating gallons:
78 gallons

**duetta™ 6636 with
illumatherapy™**

model number: EE55 - RH

exterior dimensions:
66" long x 36" wide x 26" high

of Jets/type of Jets:
4 TheraPro™
12 Back Jets

operating gallons:
78 gallons





Duetta™ 6636 Whirlpool Bath with Chromatherapy

Model: EE50

Duetta™ 6636 Whirlpool Bath with Illumatherapy™

Model: EE55

Ordering Information

Product Code:

EE50 Duetta™ 6636 Whirlpool Bath with Chromatherapy™ Right Hand

EE55 Duetta™ 6636 Whirlpool Bath with Illumatherapy™ Right Hand

- Center Drain Location
- Accessories / Hardware:
 - HTC Jet Trim Kit: #D095
 - Oval Trim Kit: #N557
- Trim Kit Finishes Available:
 - (827) - Chrome
 - (898) - Brushed Chrome
 - (815) - Satin Nickel
 - (829) - Bright Brass
 - (805) - Platinum
 - (826) - Brushed Nickel
 - (845) - Oil Rubbed Bronze

Installation Notes

Refer to installation instructions included with fixture before beginning installation. Please confirm product availability and specifications before commencing with any installation work.

PRODUCT SPECIFICATIONS AND AVAILABILITY ARE SUBJECT TO CHANGE WITHOUT NOTICE.

Technical Specifications

Dimensions

66" L x 36" W x 26" H
(1676 mm) L x (914 mm) W x (660 mm) H

Drain/Overflow

A: 18.4" (467 mm) B: 11" (279 mm)

Cutout

Template Provided Part Number: DA08000

Total Weight

1019 lb (462 kg) / 61.8 lb/ft² (302 kg/m²)

Operating Gallage

78 U.S. Gal. (295 Liters)
Min. 75 U.S. Gal. (284 Liters)
Max. 80 U.S. Gal. (303 liters)

Product Weight

180 lb (82 kg)

Skirt Mounting

Not Available

Electrical Specifications

Requires a dedicated GFCI protected separate circuit.

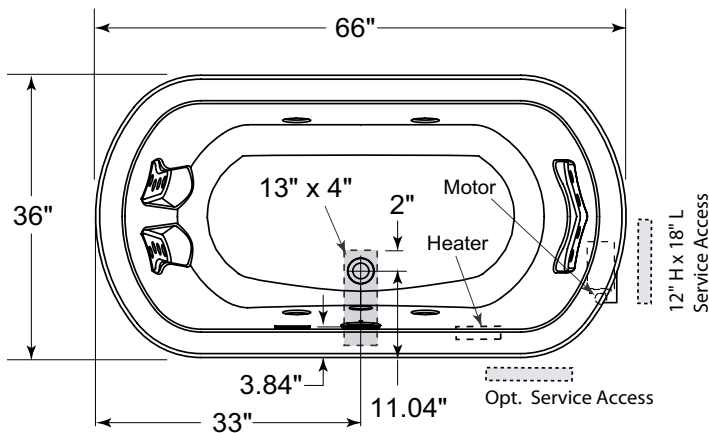
Motor/Pump: 120 VAC, 20 AMP, 60 Hz.

RapidHeat™: 120 VAC, 15 AMP, 60 Hz.

Heater (Standard)

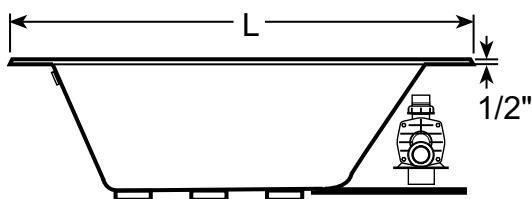
Requires a dedicated GFCI protected separate circuit.

RapidHeat™: P/N S750000

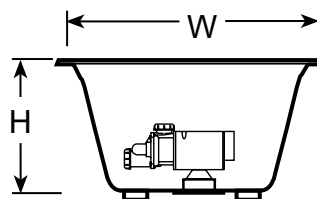


Product Shown: Duetta™ 6636 Whirlpool Bath Right Hand Shown Model: EE50

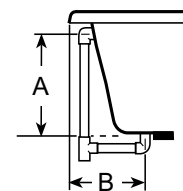
* Measurements inside unit represent cutout in floor to allow for drain/overflow. Minimum Service Access dimensions given.



SIDE VIEW



END VIEW



DRAIN/OVERFLOW