



Looking for a Jacuzzi® bath for two?
Consider the Duetta™, a lush, oval whirlpool
designed for discerning bathers.

features:

- 4 fully adjustable TheraPro® jets
- 8 to 12 fully adjustable foot and back jets
- Illumatherapy™ jet lighting optional
- Flexible installation drop-in or undermount options
- Low-profile deck
- Multi-speed motor
- RapidHeat™ inline heater
- 256 Chromatherapy lighting system
- Wave Pulse™ system
- Water level sensors
- All-in-one electronic control panel

duetta™ whirlpool bath with chromatherapy

model number: EE70 - RH

exterior dimensions:
72" long x 42" wide x 26" high

of Jets/type of Jets:
4 TheraPro™
8 Back Jets

operating gallons:
102 gallons

duetta™ whirlpool bath with illumatherapy™

model number: EE75 - RH

exterior dimensions:
72" long x 42" wide x 26" high

of Jets/type of Jets:
4 TheraPro™
12 Back Jets

operating gallons:
102 gallons





Duetta™ 7242 Whirlpool Bath with Chromatherapy

Model: EE70

Duetta™ 7242 Whirlpool Bath with Illumatherapy™

Model: EE75

Ordering Information

Product Code:

EE70 Duetta™ 7242 Whirlpool Bath with Chromatherapy Right Hand

EE75 Duetta™ 7242 Whirlpool Bath with Illumatherapy™ Right Hand

- Center Drain Location
- Accessories / Hardware:
 - HTC Jet Trim Kit: #D095
 - Oval Trim Kit: #N557
- Trim Kit Finishes Available:
 - (827) - Chrome
 - (898) - Brushed Chrome
 - (815) - Satin Nickel
 - (829) - Bright Brass
 - (805) - Platinum
 - (826) - Brushed Nickel
 - (845) - Oil Rubbed Bronze

Installation Notes

Refer to installation instructions included with fixture before beginning installation. Please confirm product availability and specifications before commencing with any installation work.

PRODUCT SPECIFICATIONS AND AVAILABILITY ARE SUBJECT TO CHANGE WITHOUT NOTICE.

Technical Specifications

Dimensions

72" L x 42" W x 26" H
(1829 mm) L x (1067 mm) W x (660 mm) H

Drain/Overflow

A: 18.4" (467 mm) B: 11" (279 mm)

Cutout

Template Provided Part Number: DA06000

Total Weight

1277 lb (579 kg) / 60.8 lb/sq. ft. (297 kg/m²)

Operating Gallonage

102 U.S. Gal. (386 Liters)
Min. 98 U.S. Gal. (371 Liters)
Max. 106 U.S. Gal. (401 liters)

Product Weight

130 lb (59 kg)

Skirt Mounting

Not Available

Electrical Specifications

Requires a dedicated GFCI protected separate circuit.

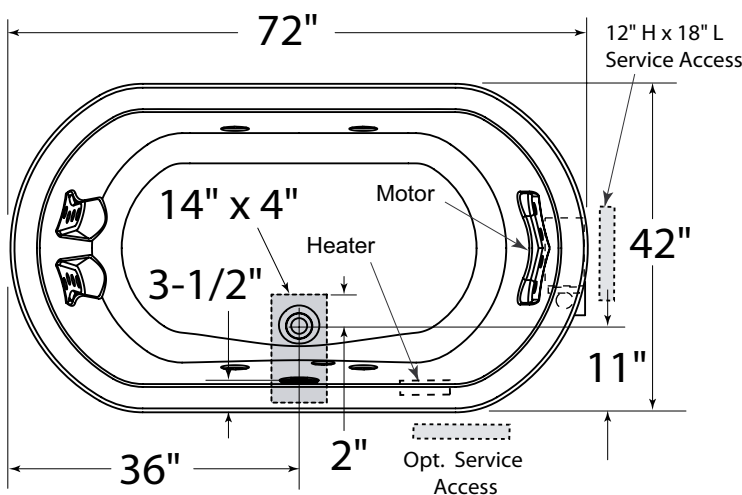
Motor/Pump: 120 VAC, 20 AMP, 60 Hz.

RapidHeat™: 120 VAC, 15 AMP, 60 Hz.

Heater (Standard)

Requires a dedicated GFCI protected separate circuit.

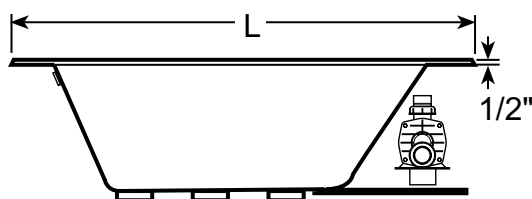
RapidHeat™: P/N S750000



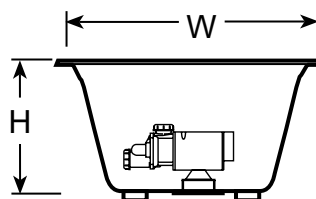
Product Shown: Duetta™ Whirlpool Bath Right Hand Shown Model: EE70

* Measurements inside unit represent cutout in floor to allow for drain/overflow.

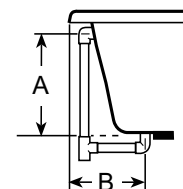
Minimum Service Access dimensions given.



SIDE VIEW



END VIEW



DRAIN/OVERFLOW