



If you enjoy soaking in a warm, soothing tub surrounded by gently moving water, or if you prefer an invigorating foot and back massage, the Elara™ tub is right for you.

features:

- 4 fully adjustable TheraPro® jets
- 8 to 12 AccuPro™ back and foot jets
- Chromatherapy standard
- Illumatherapy™ jet lighting optional
- Flexible installation drop-in or undermount options
- Low-profile deck
- RapidHeat™ inline heater
- Multi-speed motor
- Wave Pulse™ system
- All-in-one electronic control panel
- Water level sensor

elara™ whirlpool bath with chromatherapy

model number: EF20 - LH, EF25 - RH

exterior dimensions:
72" long x 42" wide x 23½" high

of Jets/type of Jets:
4 TheraPro™
6 Back Jets
2 Foot Jets

operating gallons:
100 gallons

elara™ whirlpool bath with illumatherapy™

model number: EF30 - LH, EF35 - RH

exterior dimensions:
72" long x 42" wide x 23½" high

of Jets/type of Jets:
4 TheraPro™
8 Back Jets
4 Foot Jets

operating gallons:
100 gallons





Elara™ 7242 Whirlpool Bath with Chromatherapy

Model: EF20, EF25

Elara™ 7242 Whirlpool Bath with Illumatherapy™

Model: EF30, EF35

Ordering Information

Product Code:

- EF20 Elara™ 7242 Whirlpool Bath with Chromatherapy Left Hand
- EF25 Elara™ 7242 Whirlpool Bath with Chromatherapy Right Hand
- EF30 Elara™ 7242 Whirlpool Bath with Illumatherapy™ Left Hand
- EF35 Elara™ 7242 Whirlpool Bath with Illumatherapy™ Right Hand

- Right and Left Hand Drain Location

- Accessories / Hardware:

HTC Jet Trim Kit: #D095

Oval Trim Kit: #N557

BMH 2 Jet trim Kit: # J869*

- Trim Kit Finishes Available:

(827) - Chrome

(898) - Brushed Chrome

(815) - Satin Nickel

(829) - Bright Brass

(805) - Platinum

(826) - Brushed Nickel

(845) - Oil Rubbed Bronze

* 2 kits required for EF30 and EF35

Installation Notes

Refer to installation instructions included with fixture before beginning installation. Please confirm product availability and specifications before commencing with any installation work.

PRODUCT SPECIFICATIONS AND AVAILABILITY ARE SUBJECT TO CHANGE WITHOUT NOTICE.

Technical Specifications

Dimensions

72" L x 42" W x 23-1/2" H
(1829) mm L x (1067) mm W x (597) mm H

Drain/Overflow

A: 18-1/2" (470 mm) B: 10.6" (269 mm)

Cutout

70" x 40" & undermount template BZ50000

Total Weight

1345 lb. (610 kg) / 64 lb/ft² (312 kg/m²)

Operating Gallonage

100 U.S. Gal. (379 Liters)

Min. 95 U.S. Gal. (360 Liters)

Max. 105 U.S. Gal. (397 Liters)

Product Weight

215 lb. (98 kg)

Skirt Mounting

Not Available

Electrical Specifications

Requires a dedicated GFCI protected separate circuit.

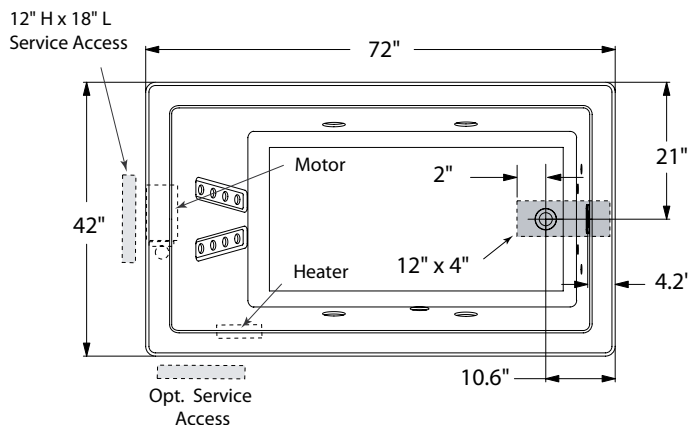
Motor/Pump: 120 VAC, 20 AMP, 60 Hz.

RapidHeat™: 120 VAC, 15 AMP, 60 Hz.

Heater (Standard)

Requires a dedicated GFCI protected separate circuit.

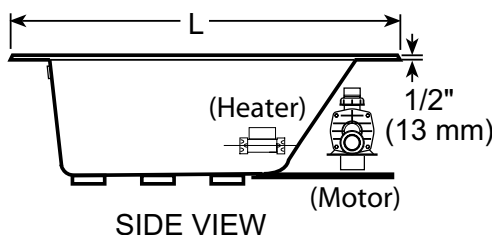
RapidHeat™: P/N S750000



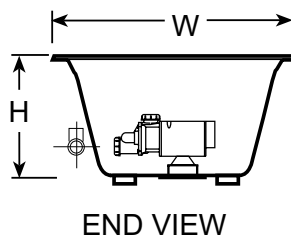
Product Shown: Elara Whirlpool Bath with Illumatherapy Right Hand Shown Model: EF25

* Measurements inside unit represent cutout in floor to allow for drain/overflow.

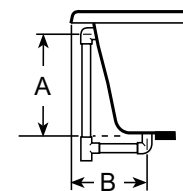
Minimum Service Access dimensions given.



SIDE VIEW



END VIEW



DRAIN/OVERFLOW

** Motor housing may extend beyond tub rim. See Install manual for installations instructions.