

luxura® 5.5 whirlpool bath and soaking bath

luxura means, quite literally "luxury"—and what more could you ask? simply, your water never felt this good.



Perfectly stylish in contemporary décors, but wonderfully relevant in more classic settings, the Luxura® bath is both a restorative and retrofit dream.

features:

- Contoured backrest.
- 4 Fully adjustable TheraPro™ jets
- 2 AccuPro™ foot jets
- Exclusive Tru-Level™ base system
- Slip-resistant bottom
- Patented Silent Air™ Induction system

Luxura® 5.5 whirlpool bath

model number: F947 – RH, F946 – LH

exterior dimensions:
66" long x 34" wide x 20" high

interior dimensions:
48" long x 21" wide

of Jets/type of Jets:
4 TheraPro™ Jets,
2 AccuPro™ Foot Jets

operating gallons:
58 gallons

Luxura® 5.5 soaking bath

model number: F948

exterior dimensions:
66" long x 34" wide x 20" high

interior dimensions:
48" long x 21" wide





Luxura® 5.5 Whirlpool Bath

Model: F946, F947

Luxura® 5.5 Bath

Model: F948

Ordering Information

Product Code:

F947 Luxura® 5.5 Whirlpool Bath
Right Hand

F946 Luxura® 5.5 Whirlpool Bath
Left Hand

F948 Luxura® 5.5 Bath

- Right and Left Hand Drain Location
- Accessories / Hardware:
 - Trip-Lever Drain Kit #X559
 - Rotary Drain Kit, 26" Cable #8730
 - HTC Jet Trim Kit: #D095
 - BMH Jet Trim Kit: #J869
- Trim Kit Finishes Available:
 - (827) - Chrome
 - (898) - Brushed Chrome
 - (815) - Satin Nickel
 - (829) - Bright Brass
 - (805) - Platinum
 - (826) - Brushed Nickel
 - (845) - Oil Rubbed Bronze

Installation Notes

Refer to installation instructions included with fixture before beginning installation. Please confirm product availability and specifications before commencing with any installation work.

PRODUCT SPECIFICATIONS AND AVAILABILITY ARE SUBJECT TO CHANGE WITHOUT NOTICE.

Electrical Components and Electrical Specifications do not apply to non-jetted baths.

Technical Specifications

Dimensions

66" L x 34" W x 20" H
(1676 mm) L x (864 mm) W x (508 mm) H

Drain/Overflow

A: 15-1/4" (387 mm) B: 8-3/8" (213 mm)

Cutout

64" x 32"

Total Weight

F946, F947: 823 lb (373 kg) / 53 lb/sq. ft. (258 kg/m²)
F948: 798 lb (362 kg) / 51 lb/sq. ft. (250 kg/m²)

Operating Gallonage

58 U.S. Gal. (220 Liters)

Product Weight

F946, F947: 90 lb (41 kg)
F948: 65 lb (29 kg)

Skirt Mounting

Optional, U-Frame

Electrical Specifications Models F946, F947 only

Requires a dedicated GFCI protected separate circuit.

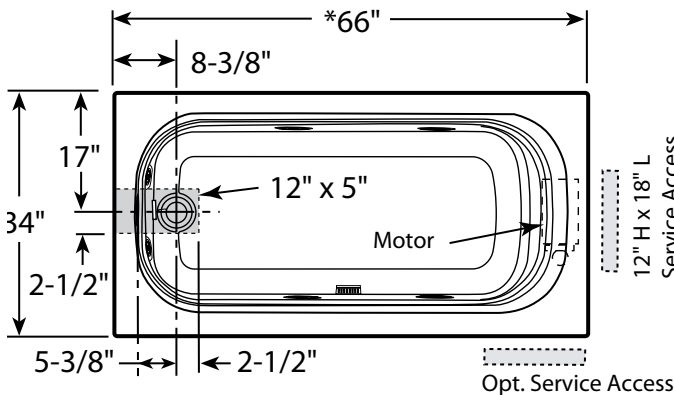
Motor/Pump: 120 VAC, 15 AMP, 60 Hz.

RapidHeat™: 120 VAC, 15 AMP, 60 Hz.

Heater (Optional) Models F946, F947 only

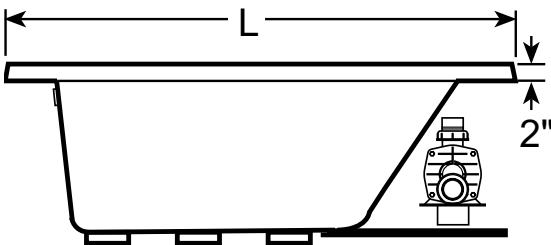
Requires a dedicated GFCI protected separate circuit.

RapidHeat™: P/N S750000

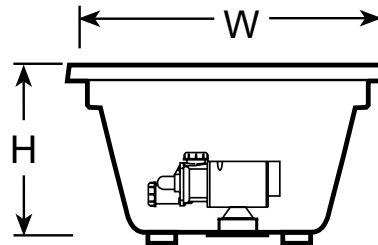


Product Shown: Luxura® 5 Whirlpool Bath Left Hand Model: F946

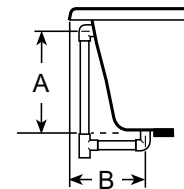
* Measurements inside unit represent cutout in floor to allow for drain/overflow.



SIDE VIEW



END VIEW



DRAIN/OVERFLOW