



Bathing has never been like this before. Incorporating exotic woods, acrylic and state-of-the art bathing technologies, the Fuzion combines everything you need to create your ideal spa experience.

features:

- Multi-speed motor
- 2 fully adjustable TheraPro® jets
- 4 directionally adjustable AccuPro™ back jets
- 8 directionally adjustable AccuPro™ jets
- 900 watt variable speed heated air blower
- Bottom air channels for maximum massage
- 256 color Chromatherapy lighting system
- Water level sensor
- Drain-assist purge system
- Sculpted armrest and contoured backrest with pillows
- All-in-one electronic control panel
- Infinity-edge drain system
- RapidHeat™ inline heater
- Undermount or choose Wenge or Teak wooden deck

**fuzion™ 7236 salon™ spa
with chromatherapy**

model number: FE05 (RH)

exterior dimensions:
70¹¹/₁₆" long x 35³/₈" wide x 24" high

of Jets/type of Jets:
2 TheraPro™ Jets
4 AccuPro™ Back Jets
8 AccuPro™ Jets

operating gallons:
82 gallons



Fuzion™ 7236 Salon™ Undermount with Chromatherapy Right Hand

Model: FE05

Ordering Information

Product Code:

FE05 Fuzion™ 7236 Salon™ Spa Undermount with Chromatherapy Right Hand

- Right Hand Drain Location
- Overflow fitting comes with tub
- Accessories / Hardware:
 - HTC Jet Trim Kit: #D095
 - BMH 2 Jet trim Kit: # J869 **
- Trim Kit Finishes Available:
 - (827) - Chrome
 - (898) - Brushed Chrome
 - (815) - Satin Nickel
 - (829) - Bright Brass
 - (805) - Platinum
 - (826) - Brushed Nickel
 - (845) - Oil Rubbed Bronze

** 4 kits required

Installation Notes

Refer to installation instructions included with fixture before beginning installation. Please confirm product availability and specifications before commencing with any installation work.

PRODUCT SPECIFICATIONS AND AVAILABILITY ARE SUBJECT TO CHANGE WITHOUT NOTICE.

Technical Specifications

Dimensions

70¹¹/₁₆" L x 35³/₈" W x 24" H
(1795 mm) L x (899 mm) W x (610 mm) H

Drain/Overflow

A: 17" (432 mm) B: 10-1/4" (260 mm)

Cutout

Template provided. PN: DD42000

Optional DIY Frame (Do-It-Yourself Frame)

Drawing provided. PN: DE54000†

Total Weight

1145 lb. (519 kg) / 63.7 lb/ft² (311 kg/m²)

Operating Gallonage

82 U.S. Gal. (37 Liters)

Product Weight

165 lb. (75 kg)

Skirt Mounting

Not Available

Electrical Specifications

Requires a dedicated GFCI protected separate circuit.

Blower: 120VAC, 20AMP, 60 Hz.

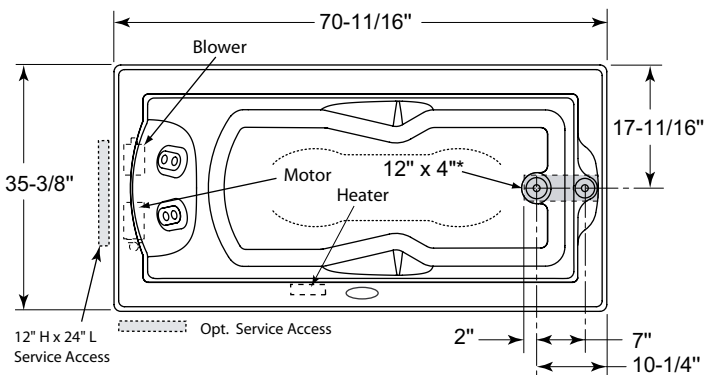
Motor/Pump and RapidHeat™: 240VAC, 20AMP, 60 Hz.

Heater (Standard)

Requires a dedicated GFCI protected separate circuit.

RapidHeat™: P/N BN60000

†Drawing comes with tub. Additional copies can be requested.



Product Shown: Fuzion™ 7236 Salon™ Spa Undermount with Chromatherapy, Right Hand Model: FE05

* Measurements inside unit represent cutout in floor to allow for drain/overflow. Minimum Service Access dimensions given.

