



Looking for a Jacuzzi® bath for two?
Consider the Duetta™ Salon™ Spa,
a lush, oval whirlpool designed for
discerning bathers.

features:

- Multi-speed motor
- 4 fully adjustable TheraPro® jets
- 8 adjustable foot and back jets
- Flexible installation drop-in or undermount options
- 900 watt variable speed heated air blower
- Bottom air channels for maximum massage
- Chromatherapy™ lighting system capable of 256 colors
- All-in-one electronic control panel
- Low-profile deck
- Drain-assist purge system
- Water level sensors
- RapidHeat™ inline heater
- PrO3™ Cleansing System

duetta™ salon™ spa

model number: **DY90 - RH**

exterior dimensions:
72" long x 42" wide x 26" high

of Jets/type of Jets:
4 TheraPro™
8 Back Jets & Foot Jets

operating gallons:
98 - 106 gallons





Duetta™ 7242 Salon™ Spa

Model: DY90

Ordering Information

Product Code:
DY90 Duetta™ 7242 Salon™ Spa with
Chromatherapy Right Hand

- Center Drain Location
- Accessories / Hardware:
 - TheraPro™ Jet Rings Kit: #D095
 - Sch 40, Rotary Drain Kit: #DA34
- Trim Kit Finishes Available:
 - (827) - Chrome
 - (898) - Brushed Chrome
 - (815) - Satin Nickel
 - (829) - Bright Brass
 - (805) - Platinum
 - (826) - Brushed Nickel
 - (845) - Oil Rubbed Bronze

Installation Notes

Refer to installation instructions included with fixture before beginning installation. Please confirm product availability and specifications before commencing with any installation work.

PRODUCT SPECIFICATIONS AND AVAILABILITY ARE SUBJECT TO CHANGE WITHOUT NOTICE.

Technical Specifications

Dimensions

72" L x 42" W x 26" H
(1829 mm) L x (1067 mm) W x (660 mm) H

Drain/Overflow

A: 18.4" (467 mm) B: 11" (279 mm)

Cutout

Template Provided Part Number: DA06000

Total Weight

1277 lbs (579 kg) / 60.8 lb/sq. ft. (297 kg/m²)

Operating Gallage

Min. 98 U.S. Gal (371 Liters)
Max. 106 U.S. Gal. (401 Liters)

Product Weight

130 lbs (59 kg)

Skirt Mounting

Not Available

Electrical Specifications

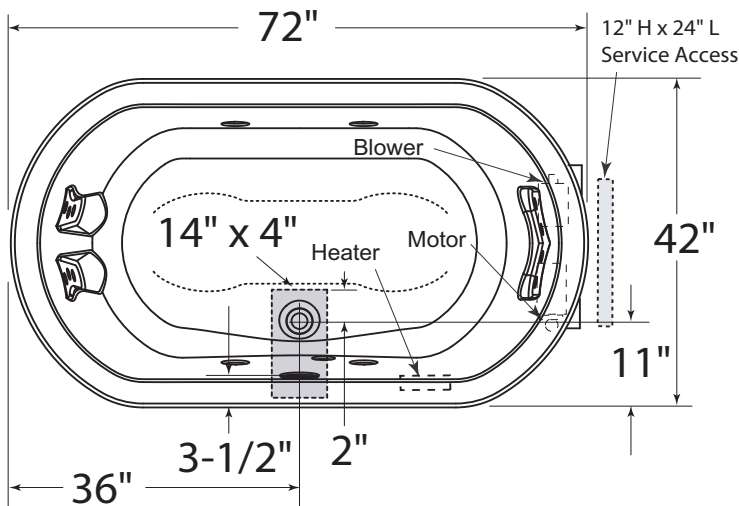
Requires a dedicated GFCI protected separate circuit.

Blower: 120VAC, 20AMP, 60 Hz.
Motor/Pump and RapidHeat™: 240VAC, 20AMP, 60 Hz.

Heater (Standard)

Requires a dedicated GFCI protected separate circuit.

RapidHeat™: P/N BN60000



Product Shown: Duetta™ 7242 Salon™ Spa Right Hand Shown Model: DY90

* Measurements inside unit represent cutout in floor to allow for drain/overflow.
Minimum Service Access dimensions given.

