

# bellavista™ 6 salon™ spa

to the Italians, literally "beautiful view." to you, a wonderful place to gain relaxed, revitalized perspective.



In Italy, it means beautiful view. To you, a wonderful place to regain relaxed, revitalized perspective.

#### features:

- Multi-speed motor
- 4 fully adjustable PowerPro® jets
- 4 spinning neck jets
- 2 directionally adjustable AccuPro™ foot jets
- 900 watt variable speed heated air blower
- Bottom air channels for maximum massage
- 256 color Chromatherapy lighting system
- All-in-one electronic control panel
- Drain-assist purge system
- RapidHeat™ inline heater
- PrO<sub>3</sub>™ Ozone Sanitation System standard

## bellavista™ 6 salon™ spa

model number: DY75

exterior dimensions:

**72" long x 42" wide x 26" high**

interior dimensions:

**43½" long x 23½" wide**

# of Jets/type of Jets:

**4 PowerPro® Jets,  
4 Neck Jets,  
2 AccuPro™ Foot Jets**

operating gallons:

**87 gallons**

*Detail: The Bellavista™ Salon™ Spa's perfectly placed PowerPro® and AccuPro™ jets work in concert with a deeply contoured backrest to offer the ultimate in hydrotherapy.*





# Bellavista™ 6 Salon™ Spa

Model: DY75

## Ordering Information

Product Code:

DY75 Bellavista™ 6 Salon™ Spa  
Right Hand

- Center Drain Location
- Accessories / Hardware:
  - HTA Jet Rings Kit: #M952
  - BMH Jet Trim Kit: #J869
  - 2 x Neck Jet Rings Trim Kit: #P556
  - Rotary Drain Kit, 30" Cable: #K606
- Trim Kit Finishes Available:
  - (827) - Chrome
  - (898) - Brushed Chrome
  - (815) - Satin Nickel
  - (829) - Bright Brass
  - (805) - Platinum
  - (826) - Brushed Nickel
  - (849) - Oil Rubbed Bronze

## Installation Notes

Refer to installation instructions included with fixture before beginning installation. Please confirm product availability and specifications before commencing with any installation work.

PRODUCT SPECIFICATIONS AND AVAILABILITY ARE SUBJECT TO CHANGE WITHOUT NOTICE.

## Technical Specifications

### Dimensions

72" L x 42" W x 26" H  
(1524 mm) L x (1067 mm) W x (660 mm) H

### Drain/Overflow

A: 20" (508 mm) B: 11-3/4" (298 mm)

### Cutout

Template Provided P/N P187000

### Total Weight

1231 lb (558 kg) / 59 lb/sq. ft. (288 kg/m<sup>2</sup>)

### Operating Gallonage

87 U.S. Gal. (329 Liters)

### Product Weight

180 lb (82 kg)

### Skirt Mounting

Not Available

### Electrical Specifications

Requires a dedicated GFCI protected separate circuit.

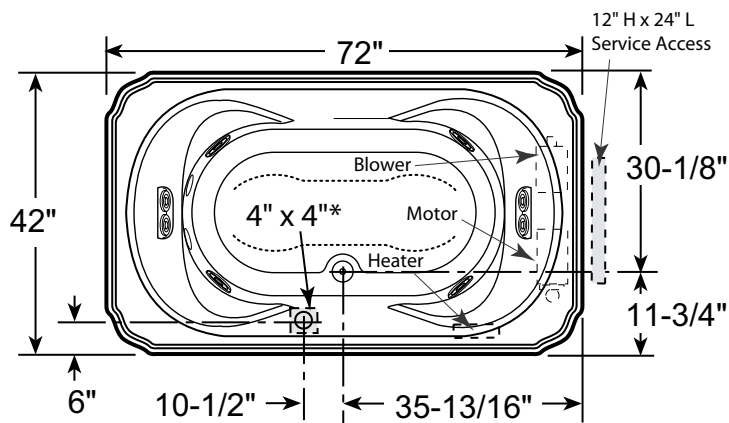
Blower: 120VAC, 20AMP, 60 Hz.

Motor/Pump and RapidHeat™: 240VAC, 20AMP, 60 Hz.

### Heater (Standard)

Requires a dedicated GFCI protected separate circuit.

RapidHeat™: P/N BN60000



Product Shown: Bellavista™ 6 Salon™ Spa Right Hand Shown Model: DY75

\* Measurements inside unit represent cutout in floor to allow for drain/overflow.

Minimum Service Access dimensions given.

