



Finestra™ 6030

WALK-IN PURE AIR® BATH

EY20	Finestra™ 6030 Walk-In 17" Seat Pure Air Bath, Left Hand
EY25	Finestra™ 6030 Walk-In 17" Seat Pure Air Bath, Right Hand

- Left and Right Hand drain locations
- Accessories / Hardware:
 - Drain Trim Kit: #FB48000
 - Tile Flange Kit: #5817000
 - Pillow: #EK91959
- Trim Kit Finishes Available:
 - (829) – Bright Brass
 - (959) – White

INSTALLATION NOTES

Refer to installation instructions included with fixture before beginning installation. Please confirm product availability and specifications before commencing with any installation work.

PRODUCT SPECIFICATIONS AND AVAILABILITY ARE SUBJECT TO CHANGE WITHOUT NOTICE.

Technical Specifications

DIMENSIONS

60" L x 30" W x 37-1/2" H
 (1524 mm) L x (762 mm) W x (952.5 mm) H

DRAIN/OVERFLOW

A: 31-1/2" (800 mm) B: 6-5/8" (168 mm)

CUTOUT

NA

TOTAL WEIGHT

EY20, EY25: 320 lb. (145 kg)

OPERATING GALLONAGE

Max: 75 U.S. Gal. (284 liters)
 Min: 55 U.S. Gal. (208 liters)

PRODUCT WEIGHT

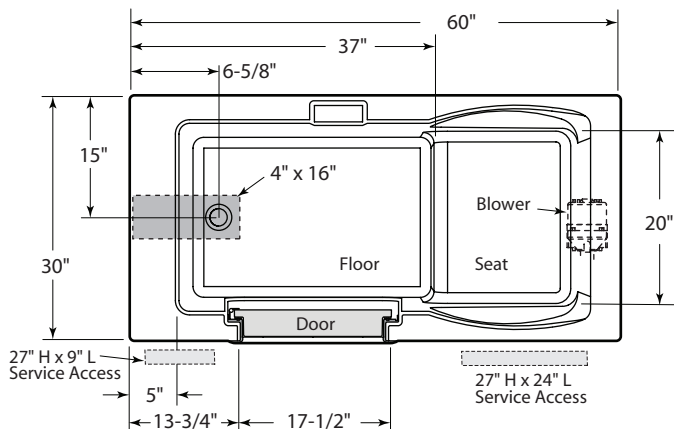
EY20, EY25: 270 lb. (122 kg)

SKIRT MOUNTING

NA

ELECTRICAL SPECIFICATIONS

Requires a dedicated GFCI protected separate circuit.
 Blower: 115 VAC, 15 AMP, 60 Hz.



Finestra™ 6030 Walk-In 17" Seat Pure Air Bath Left Hand (EY70) shown.

* Measurements inside unit represent cutout in floor to allow for drain/overflow.

Minimum service access dimensions given.

