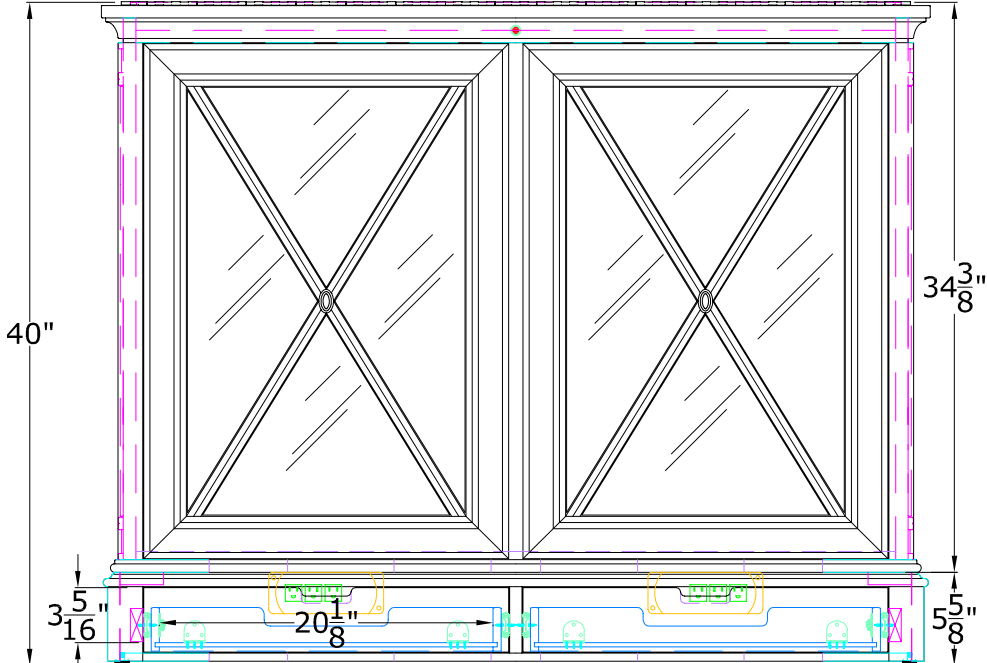
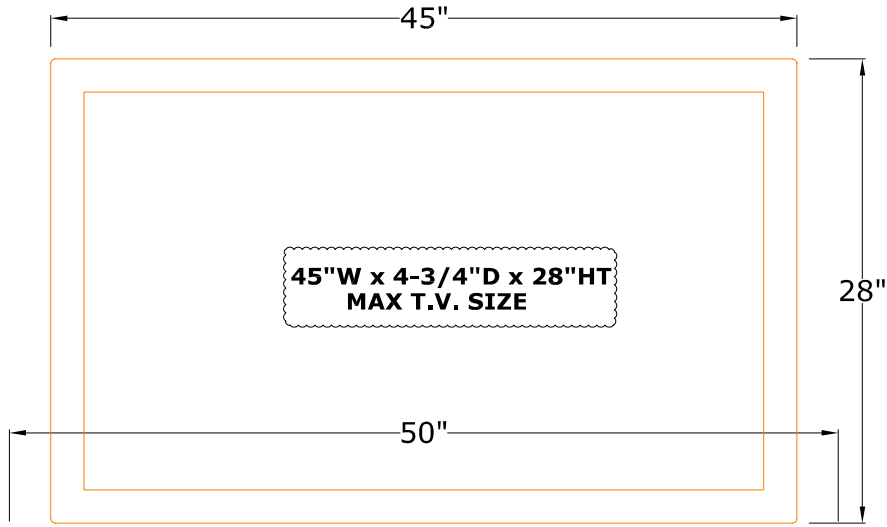
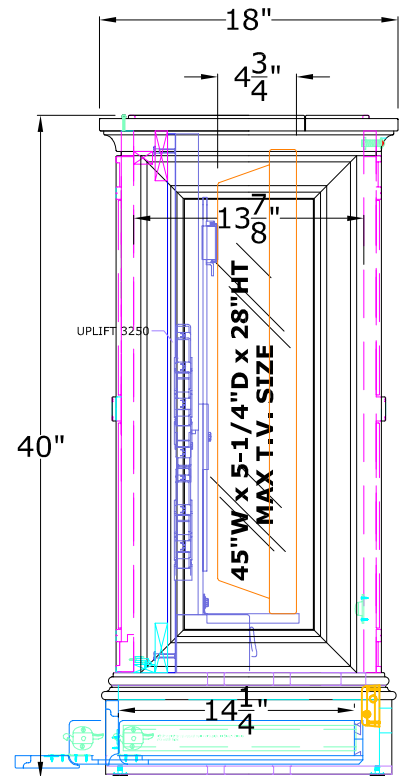


TOP VIEW



FRONT VIEW



SIDE VIEW

## CASCADES

AT004769-F PLASMA CONSOLE (FOOT OF THE BED)