

Installation Guide

TV Lift

Model No.:

UPLIFT-3250

UPLIFT-3500

UPLIFT-3700

UPLIFT-3875

IMPORTANT SAFETY INSTRUCTIONS

When installing and operating the lift, basic safety precautions should always be followed:

Read the instruction manual thoroughly before using the lift.

DANGER – To reduce the risk of electric shock;

1. Always unplug this furnishing from the electrical outlet before cleaning.

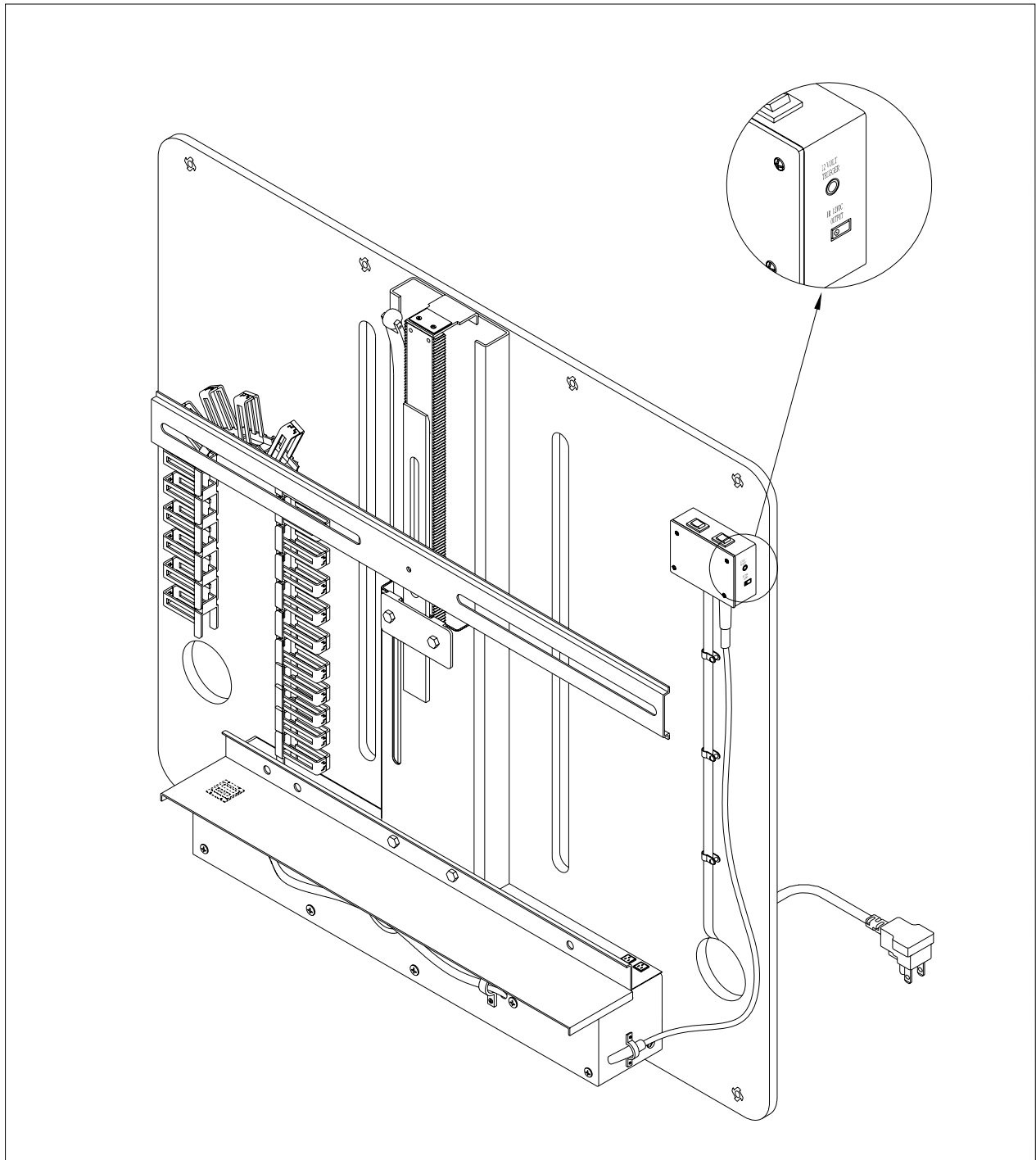
WARNING – To reduce the risk of burns, fire, electric shock, or injury to persons:

1. Unplug from outlet before putting on or taking off parts.
2. Close supervision is necessary when this furnishing is used by, or near children, invalids, or disabled persons.
3. Use this furnishing only for its intended use as described in these instructions. Do not use attachments not recommended by the manufacturer.
4. Never operate this furnishing if it has a damaged cord or plug, if it is not working properly, if it has been dropped or damaged, or dropped into water. Return the furnishing to a service center for examination and repair.
5. Keep the cord away from heated surfaces.
6. Never operate the furnishing with the air openings blocked. Keep the air openings free of lint, hair, and the like.
7. Never drop or insert any object into any opening.
8. Do not use outdoors.
9. To disconnect, turn all controls to the off position, then remove plug from outlet.
10. **WARNING: Risk of Injury** – Keep children, hands, clothing, and hair away from the moving parts of the furnishing. Failure to do so may cause serious personal injury.
11. Do not stand, lean, or sit on the furnishing
12. Stand or sit back as far as possible when the furnishing is in operation.
13. Place the remote in a secure area so children do not attempt to operate the lift without supervision.
14. Always leave the radio switch & up/down switch in the off position when the unit is not being used. This will help prevent children from operating the furnishing without supervision.
15. Do not operate the furnishing if the power cord has been damaged in any manner.
16. If this furnishing malfunctions, cease operating it immediately, unplug the unit from the wall and call the manufacturer.
17. Do not leave the furnishing unattended while in operation.

SAVE THESE INSTRUCTIONS

1. Before installation, please make sure you have all of the following items.

- ✓ TV Lift 1
- ✓ TV Mounting Hardware 2 bags
- ✓ Lift Mounting Hardware 1 bag

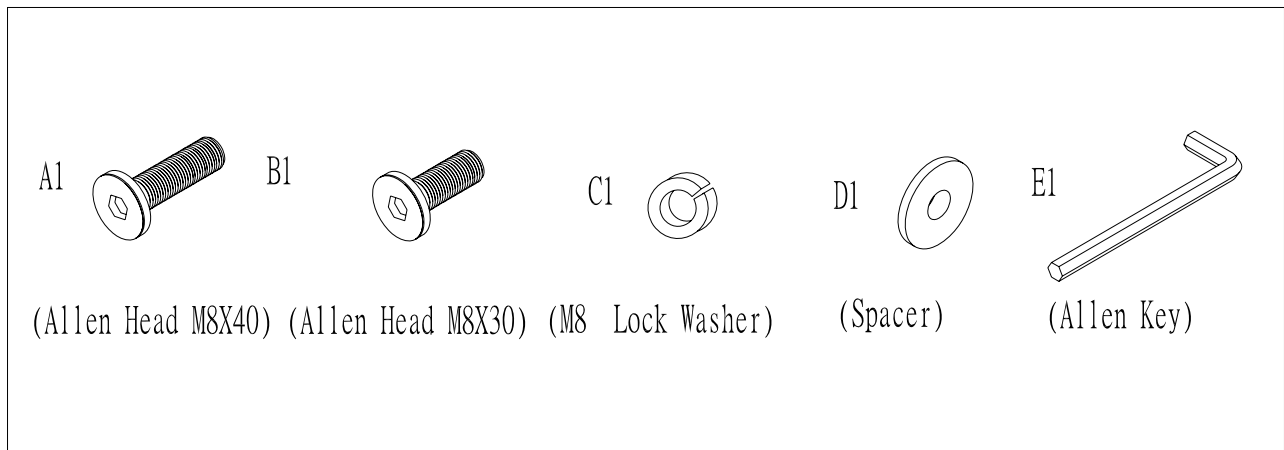


2. ACCESSORY PACKAGE

2.1 Remote Control Tie to the TV Mounting Bracket and Contains 1 Pc Radio Frequency Remote Control

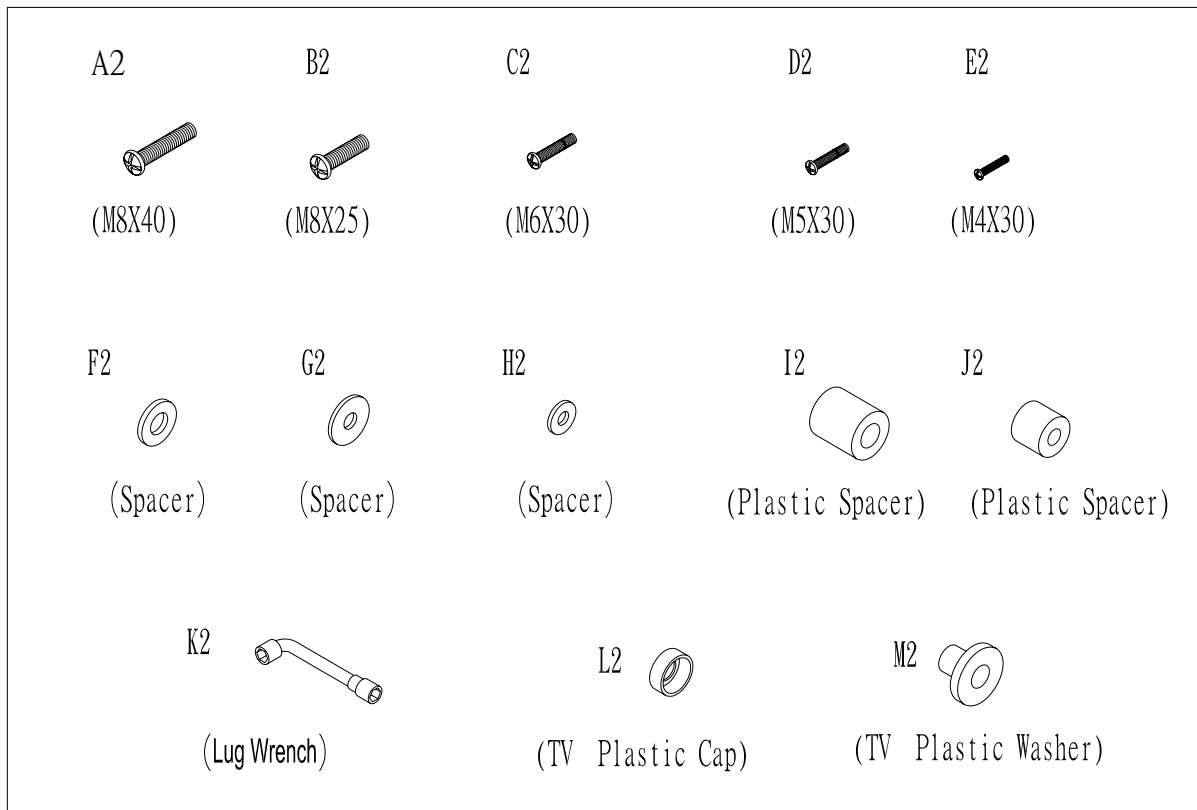
2.2 Lift Installation Hardware Box and contains:

- ✓ A1 = Allen Bolt M8X40 6Pcs - For use to secure the Lift Panel to the Cabinet if thickness is 1"
- ✓ B1 = Allen Bolt M8x30 6Pcs - For use to secure the Lift Panel to the Cabinet if thickness is 3/4"
- ✓ C1 = M8 Lock Washer 6Pcs - For use with Allen Bolts to steady the Panel
- ✓ D1= Spacer 6Pcs - For use with M8 Lock Washer and Allen Bolts to steady the Panel
- ✓ E1 = Allen Key 1Pc - For use with A1 or A2 bolts



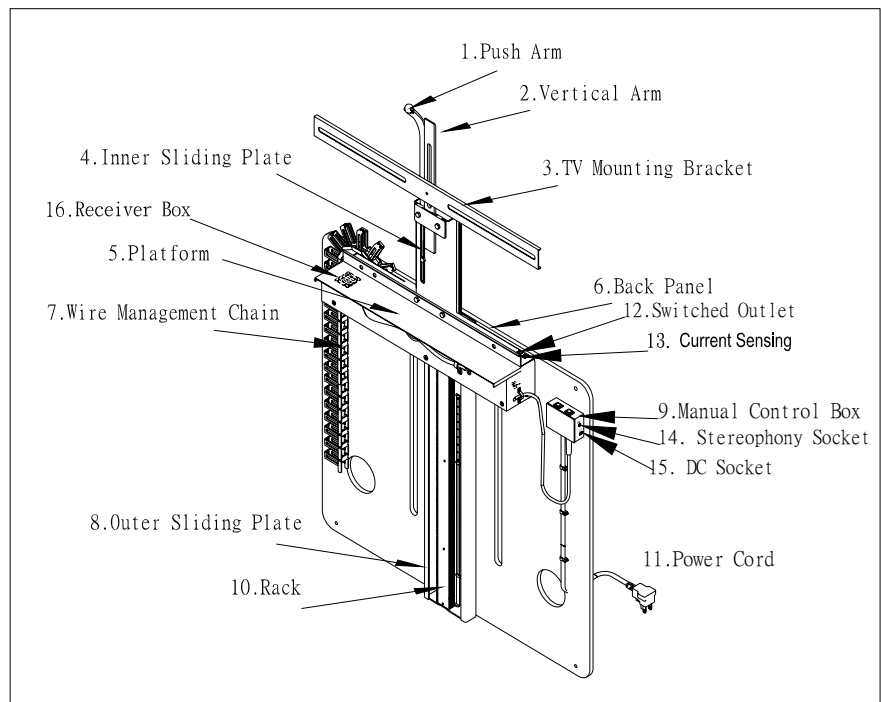
2.3 TV Mounting Hardware Tie on TV Mounting Bracket and Contains:

- ✓ A2 = M8X40 2Pcs - For use with Plastic Washers on both ends of TV Mounting Bracket
- ✓ B2 = M8X25 2Pcs - For use with Plastic Washers on both ends of TV Mounting Bracket
- ✓ C2 = M6X30 2Pcs - For use with Plastic Washers on both ends of TV Mounting Bracket
- ✓ D2 = M5X30 2Pcs - For use with Plastic Washers on both ends of TV Mounting Bracket
- ✓ E2 = M4X30 2Pcs - For use with Plastic Washers on both ends of TV Mounting Bracket
- ✓ F2, G2, H2, I2 & J2 2Pcs - Each spacers used to Mount TV if bolts are too long
- ✓ K2 = Lug Wrench 1Pc - Used to adjust the height of Support Arm
- ✓ L2 = TV Plastic Cap 2Pcs - For use with Plastic Washers on both ends of TV Mounting Bracket
- ✓ M2 = TV Plastic Washer 2Pcs - For use with Plastic Cap on both ends TV Mounting Bracket



3. PARTS DESCRIPTIONS AND FUNCTIONS:

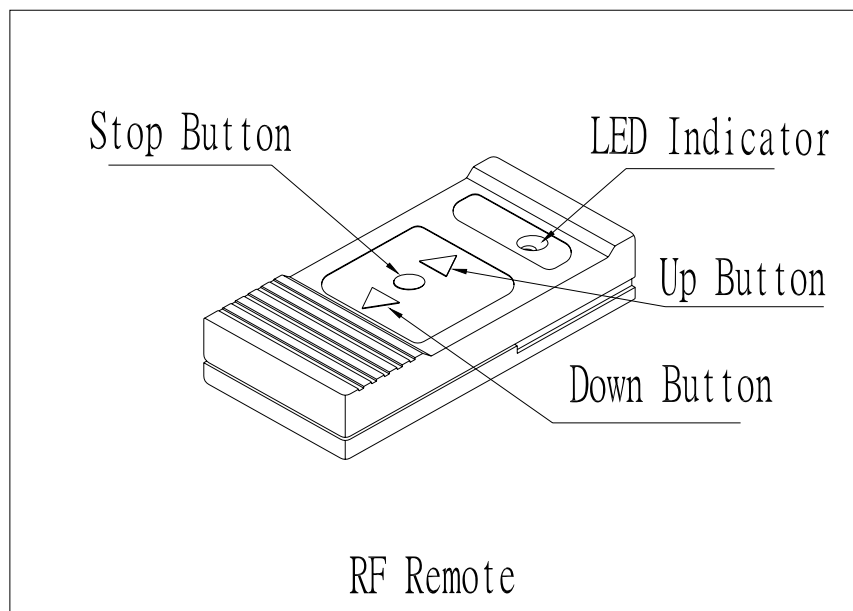
1. Push Arm
2. Vertical Arm
3. TV Mounting Bracket
4. Inner Sliding Plate
5. Platform
6. Back Panel
7. Wire Management Chain
8. Outer Sliding Plate
9. Manual Control Box
10. Rack
11. Power Cord



12. Switched Outlet (115 volt rated Max 800W)
13. Current Sensing (115 volt rated Max 800W)
14. Stereophony Socket (12 Volt Trigger)
15. DC Socket (Max 18Volt DC Outlet 100ma)
16. Receiver Box

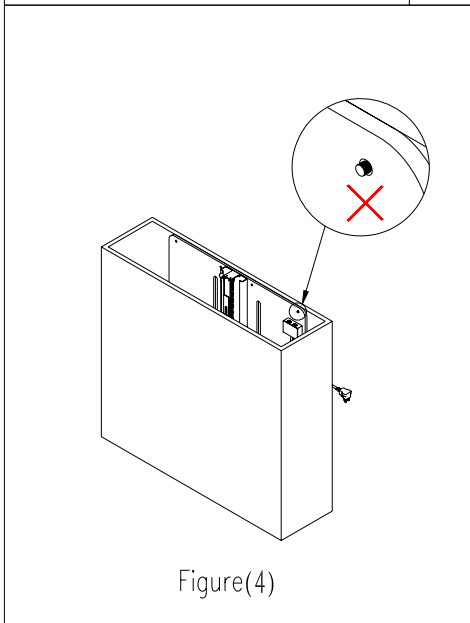
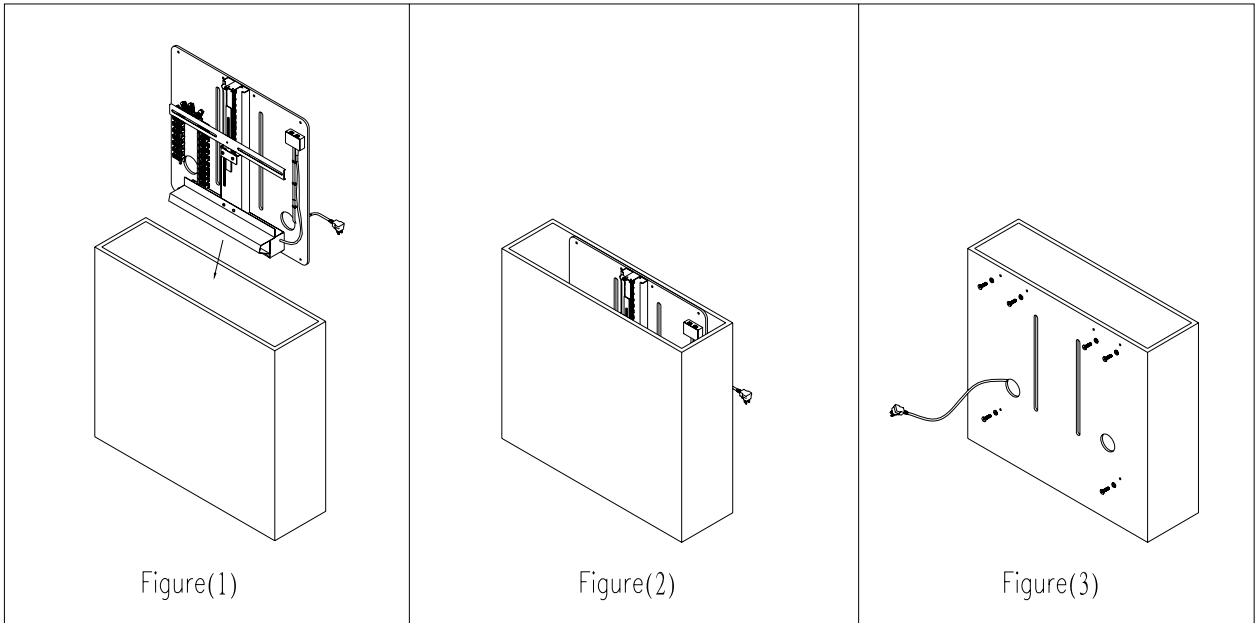
4. REMOTE CONTROL

- ✓ LED Indicator
- ✓ Up Button
- ✓ Stop Button
- ✓ Down Button



5. INSTALLATION STEPS:

1. Remove the Lift from carton, then place unit in the cabinet, as Figure 1.
2. Align the Lifts T-Nuts with your wooden cases holes, as Figure 2.
3. Using the supplied 30mm OR 40mm Allen bolts, insert all 6 bolts & tighten, as Figure 3.
4. Warning: Bolts must not protrude through the lifts back panel or lift will be damaged! As Figure 4.



6. SPECIFICATION:

Voltage:	120VAC /60Hz
Power:	120W
Max. Operation Distance:	15 Feet
Max. Travel Distance:	31-3/4"
Min. Travel Distance:	24"
Max. Loading Weight:	130 Lbs
DC Socket:	Max 18VDC Output 100mA
Stereophony Socket:	12Volt Trigger

7. TROUBLESHOOTING:

If the lift is installed as per the instructions, it should operate trouble free. If a problem does occur, please refer to the following suggestions.

Symptoms	Suggested Action(s)
No movement, unit is silent	<ul style="list-style-type: none"> * Check the power to the unit. Make sure the cord is properly inserted into the outlet? * Is the power source to the electrical socket controlled by a light switch?
Can operate manually, but cannot operate by remote control	<ul style="list-style-type: none"> * Check the battery of the remote control? Make sure the battery is in good condition. * Check if the indicating light of the remote control flashes when buttons are pressed?
Moves backward automatically and stops	<ul style="list-style-type: none"> * Is there anything sitting at the base of the cabinet obstructing the platform?