

## TV Installation Guide

This product is designed to mount flat panel televisions with a max weight up to 130 pounds.

**Safety Warning:** If you do not understand these directions, or have any doubts about the safety of the installation, then please call a qualified installer. Check carefully to make sure there are no missing or defective parts. Never use any defective parts as an improper installation may cause damage or serious injury to persons. Do not use this product for any other purposes then specified.

**Note:** We make every effort to assure all necessary television mounting hardware is included. If the hardware needed is not included, then please contact your local hardware store.

## Supplied Parts:

TV Mounting Hardware located on the TV Mounting Bracket Contains:

A2. M8X40 2Pcs - For use with Plastic Washers on both ends of TV Mounting Bracket

B2. M8X25 2Pcs - For use with Plastic Washers on both ends of TV Mounting Bracket

C2. M6X30 2Pcs - For use with Plastic Washers on both ends of TV Mounting Bracket

D2. M5X30 2Pcs - For use with Plastic Washers on both ends of TV Mounting Bracket

E2. M4X30 2Pcs - For use with Plastic Washers on both ends of TV Mounting Bracket

F2. G2. H2. I2. & J2 - Spacers use to mount TV if the bolts are to long

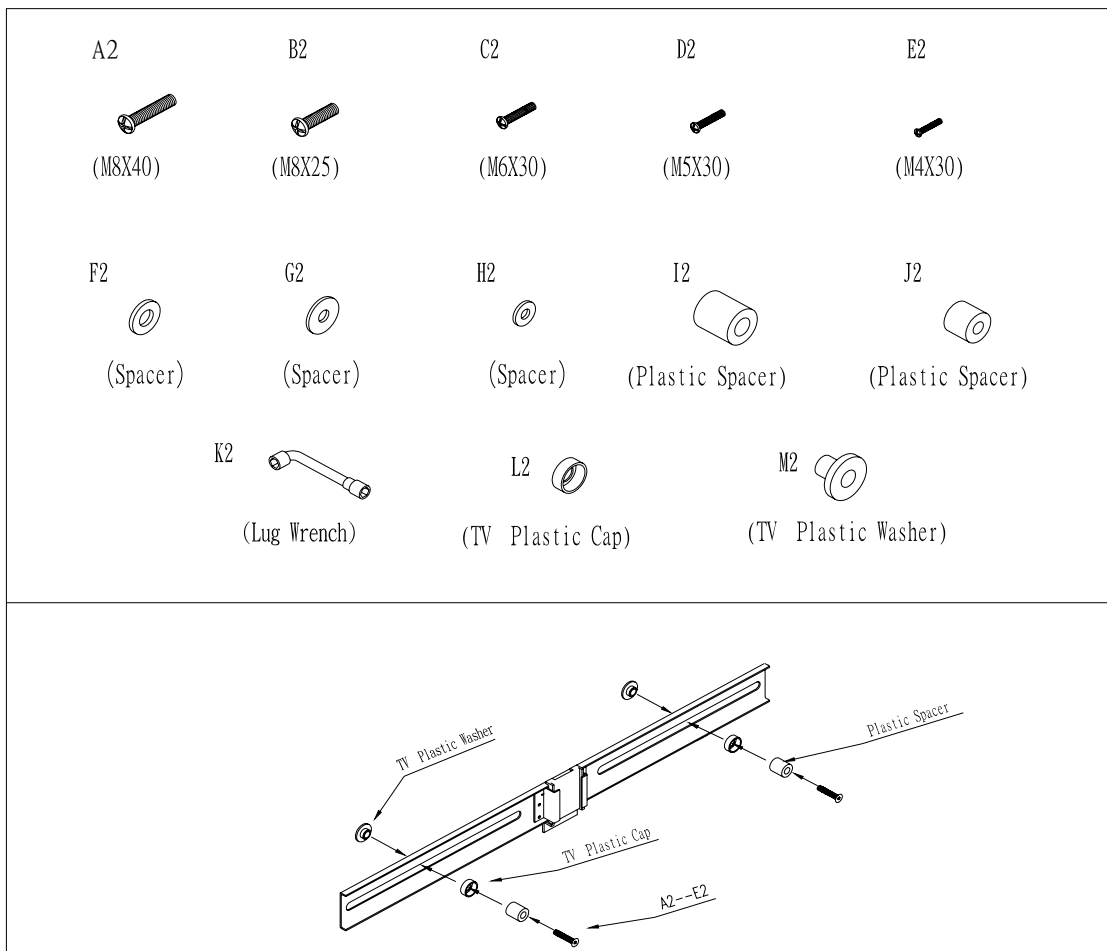
K2. Lug Wrench 1Pc - Used to adjust the height of Support Arm

L2. Plastic TV Cap 2Pcs - For use with Plastic Washers on both ends of TV Mounting Bracket

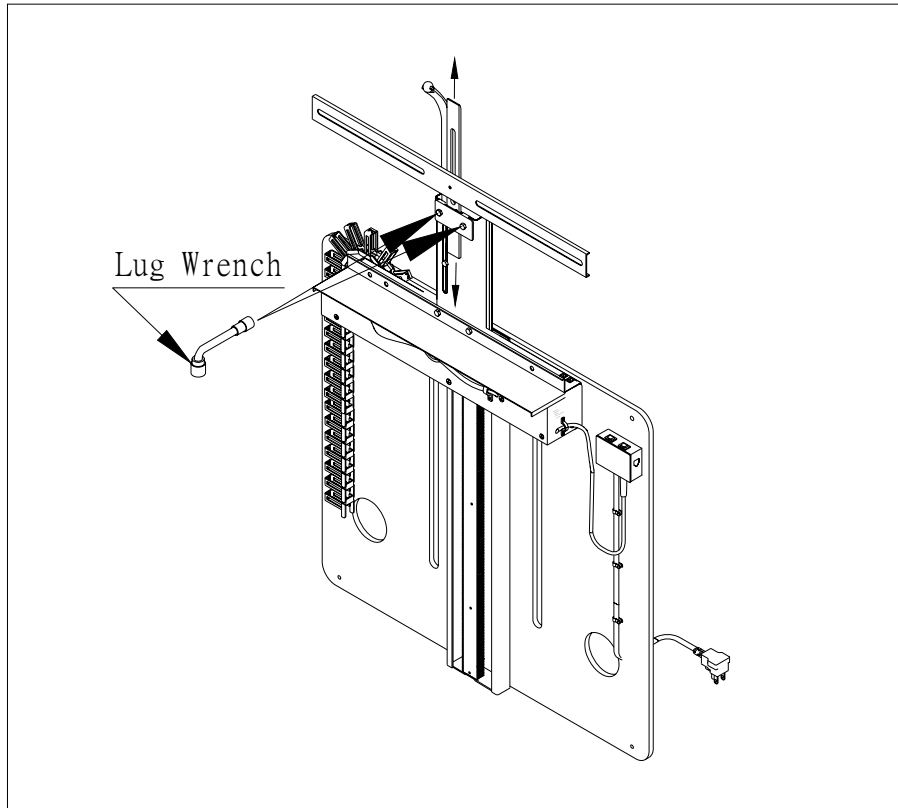
(see illustration below)

M2. TV Plastic Washer 2Pcs - For use with Plastic Cap on both ends TV Mounting Bracket

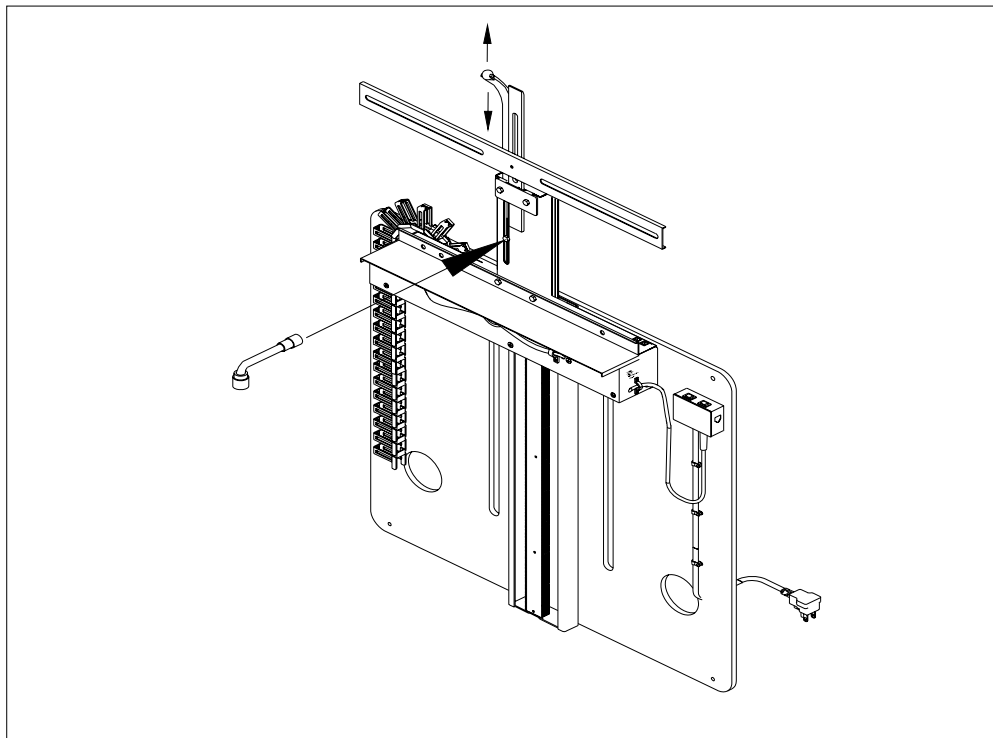
(see illustration below)



1. Adjust the Vertical Bar to the appropriate height of your TV's mounting holes using the supplied Lug Wrench/Leave as low as possible.



2. Adjust Push Arm so that it is 1/4" higher than your TV height.

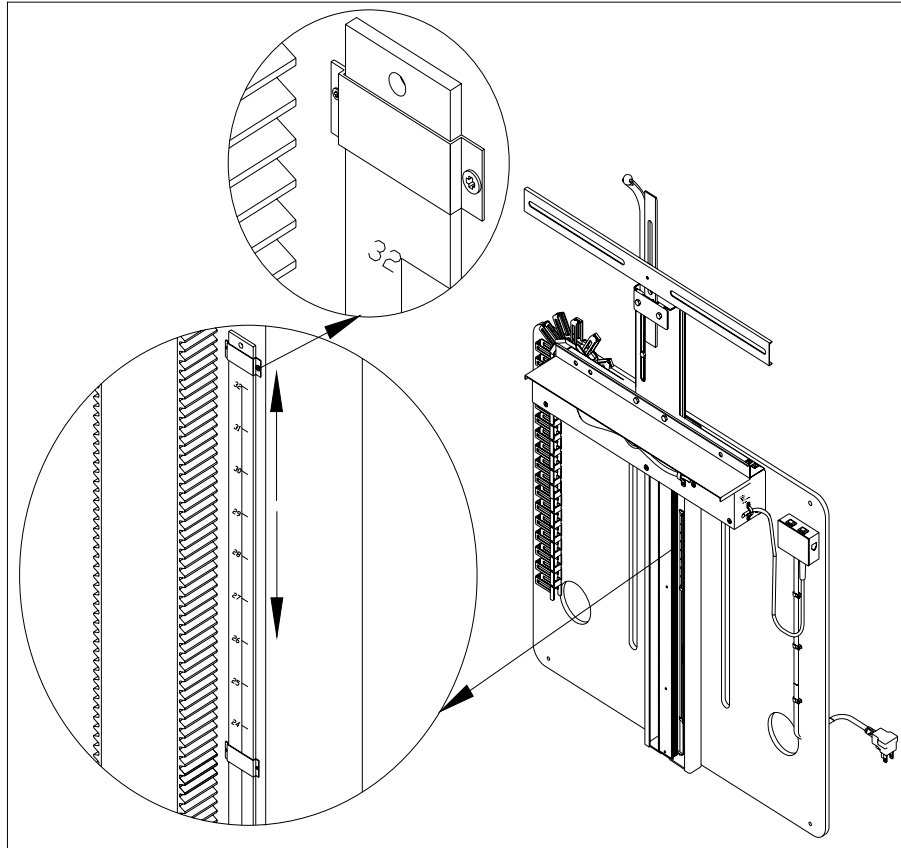


3. Follow the steps as below:

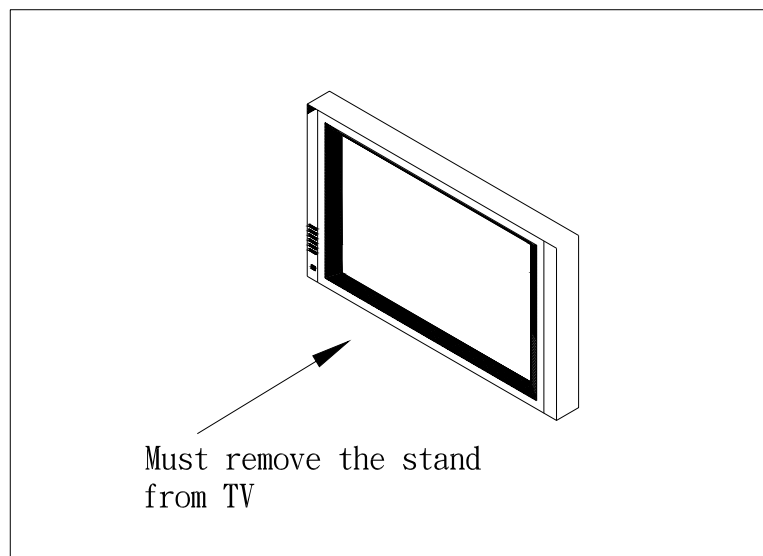
3.1 Raise the lift up

3.2 Measure the height of your TV, then add 1/2".

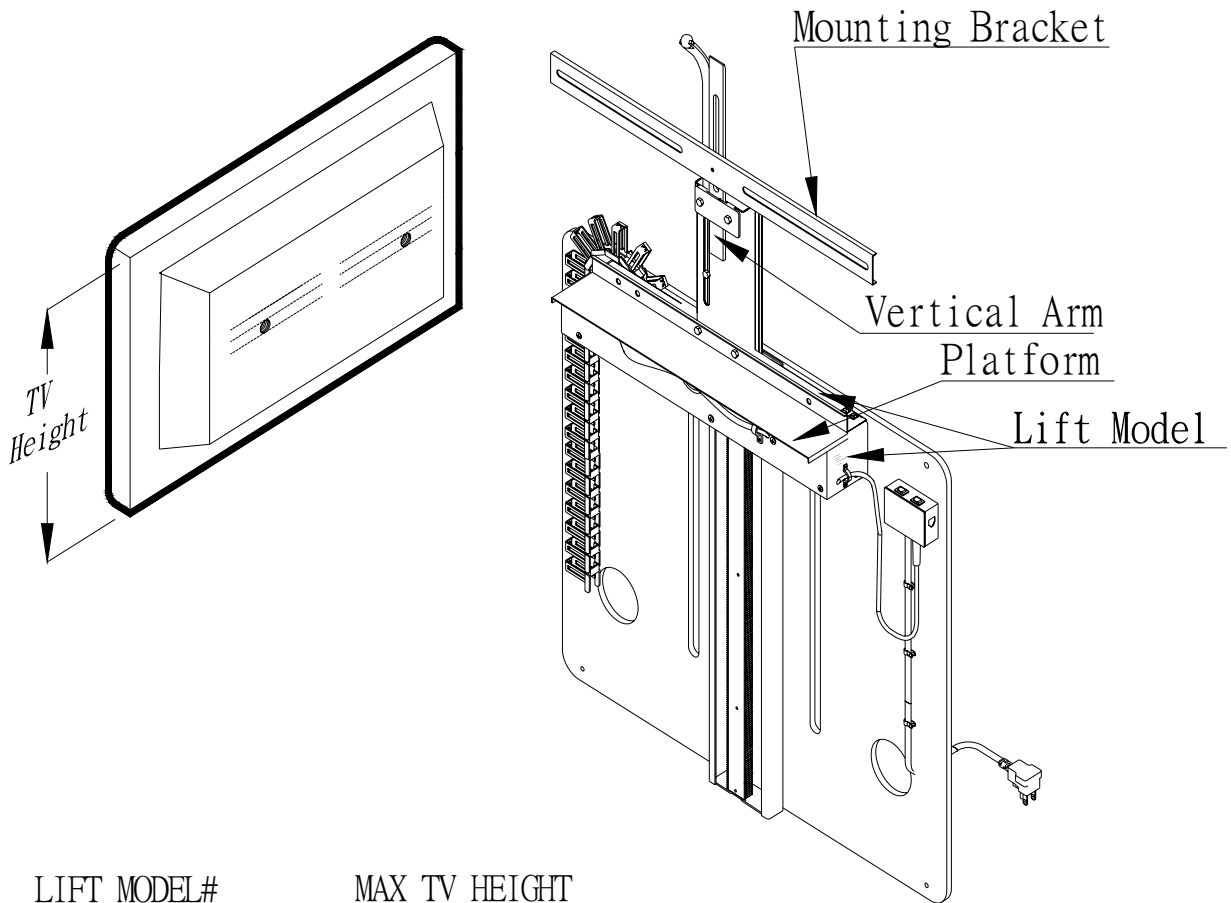
3.3 Use Screw Driver in the hole at the top of the Limit Switch Slider and raise the Limit Switch to the dimension you calculated from 3.2 (above).



4. When placing TV on Lift Platform, please remove the Stand from TV.

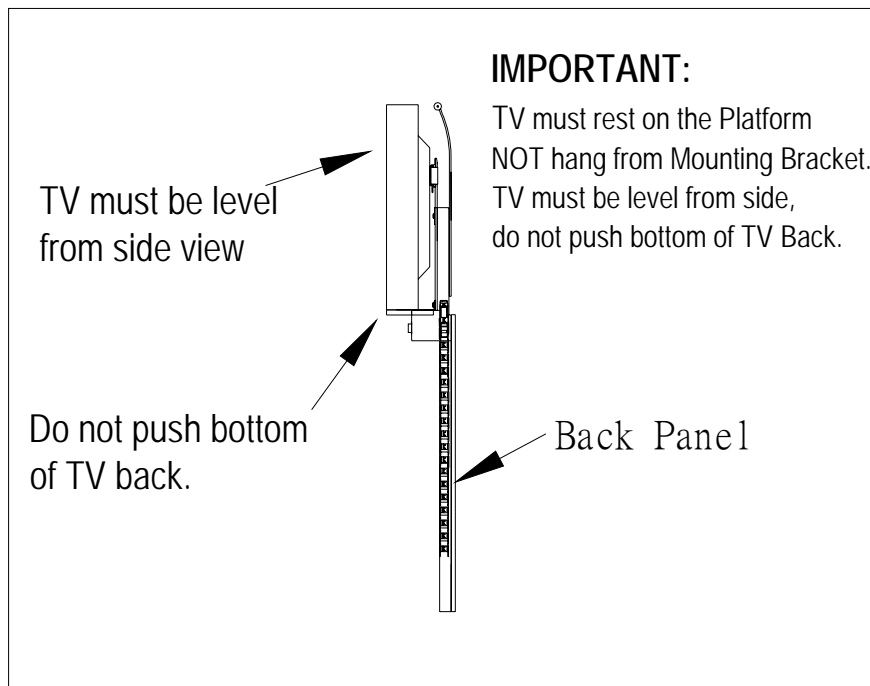
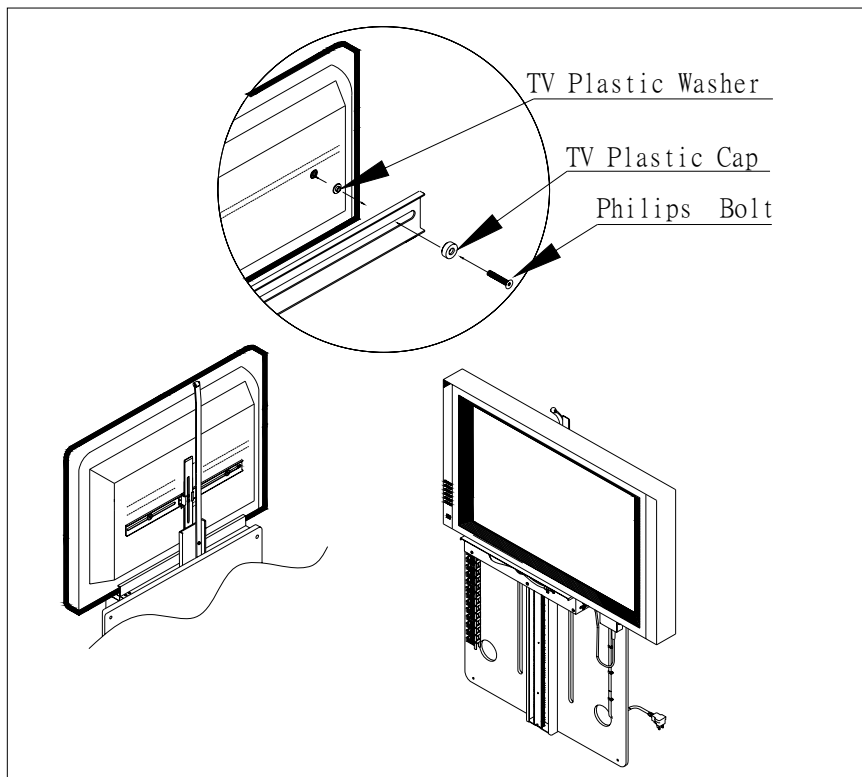


5. Place TV onto Platform and hold flush against Mounting Bracket. TV weight must rest on the Platform evenly (from left to right/centered).



<u>LIFT MODEL#</u>	<u>MAX TV HEIGHT</u>
UPLIFT-3250	28-1/2"
UPLIFT-3500	31"
UPLIFT-3700	33"
UPLIFT-3875	34-3/4"

6. Using one small Plastic Washer, one Plastic Cap, and one Philips Bolt attach right side of TV to the Mounting Bracket. Repeat the same step for the left side.



7. Please make sure the correct outlet on Platform when plug in. See figure below for TV Lift and I/R System.

