

MODEL: 50700

ASSEMBLY INSTRUCTIONS

READ AND SAVE THESE INSTRUCTIONS

UNPACK THE FOUNTAIN

YOU SHOULD HAVE RECEIVED THE FOLLOWING PARTS IN THE PACKAGE: COLUMN, LID, RESERVOIR, BASE, PUMP HOSE, PUMP WITH LIGHTS, (6) SUBMERSIBLE HALOGEN BULBS, A BAG OF RIVER STONES, (6) WASHERS, (6) SCREWS AND TRANSFORMER. TO PROTECT THE FINISH, PLACE ALL PARTS ON A SOFT SURFACE.

FOUNTAIN ASSEMBLY

1. FEED THE PUMP POWER CORD DOWN THROUGH THE HOLE IN BASE AND WORKING DOWNWARDS TOWARD BOTTOM OF BASE AS SHOWN.
2. PLACE THE RESERVOIR ON BASE AND SECURE WITH WASHERS AND SCREWS.
3. PLACE THE COLUMN ON LID AND SECURE WITH WASHERS AND SCREWS AS SHOWN.
4. SLIDE BULBS INTO BULB CLIPS AS SHOWN. (PLEASE RETAIN THE OTHER SUBMERSIBLE HALOGEN BULBS FOR FUTURE BULB REPLACEMENT.)
5. ATTACH THE PUMP HOSE TO CONNECTOR.
6. PLACE PUMP FLAT IN RESERVOIR.
7. PLACE LID ASSEMBLY IN RESERVOIR.
8. PLACE THE RIVER STONES ON LID.
9. FILL RESERVOIR WITH ENOUGH WATER TO COMPLETELY SUBMERSE PUMP. (DISTILLED WATER IS RECOMMENDED BY US IN THE FOUNTAIN TO REDUCE MINERAL DEPOSITS AND BACTERIA BUILD UP.)
10. PLUG PUMP POWER CORD INTO TRANSFORMER AND PLUG THE POWER CORD INTO AN OUTLET. YOUR FOUNTAIN IS READY TO USE.

TROUBLE SHOOTING:

1. IF YOUR FOUNTAIN DOES NOT WORK, CHECK PLUG AT THE SOCKET. MAKE SURE THE PLUG IS FULLY AND PROPERLY INSERTED INTO THE WALL OUTLET.
2. NEXT CHECK TO MAKE SURE THE OUTLET IS POWERED.
3. IF THE FOUNTAIN STILL DOES NOT WORK, PLEASE CONTACT YOUR DISTRIBUTOR OR PLACE OF PURCHASE.

SPLASHING DISCLAIMER:

SPLASHING MAY OCCUR WHEN FOUNTAIN IS INITIALLY TURNED ON. PROTECT SURROUNDING SURFACES AS NEEDED.

IMPORTANT PUMP INFORMATION:

PUMP MUST BE FULLY SUBMERSED IN WATER WHILE OPERATING. PLEASE SEE NEXT PAGE FOR PUMP REPLACEMENT.

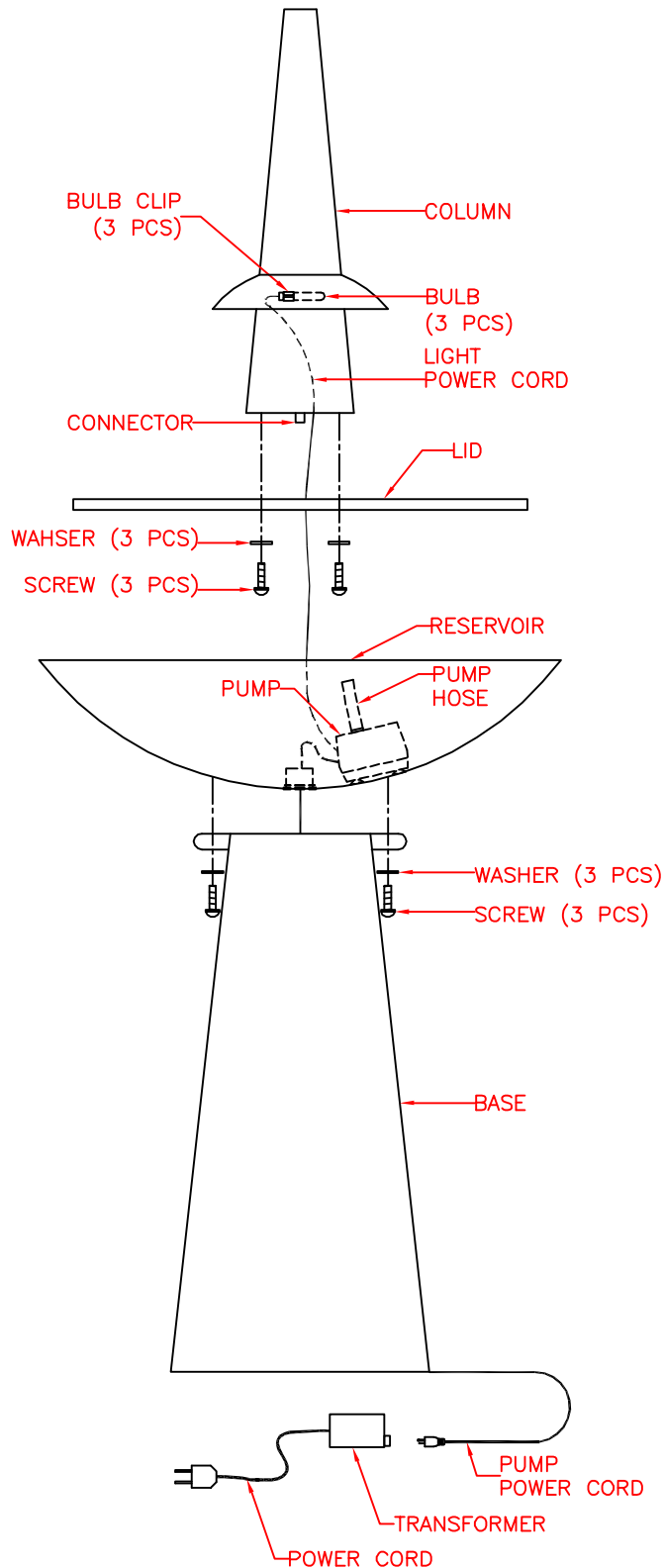
WATER:

TO REDUCE MINERAL DEPOSITS AND BACTERIA BUILD UP THE USE OF DISTILLED WATER IS RECOMMENDED.

WARNING:

* ONCE A WEEK INSPECT FOUNTAIN, FLOOR AND ADJACENT WALL FOR MOISTURE BUILD-UP AND CLEAN AS NECESSARY. THIS IS ESPECIALLY IMPORTANT FOR HUMID ENVIRONMENTS.

** THIS UNIT MUST BE CONNECTED TO A SUPPLY CIRCUIT THAT IS PROTECTED BY A GROUND FAULT CIRCUIT INTERRUPTER (GFCI). THE GFCI SHOULD BE TESTED ON A ROUTINE BASIS. TO TEST THE GFCI, PUSH THE TEST BUTTON. THE GFCI SHOULD INTERRUPT POWER. PUSH THE RESET BUTTON. POWER SHOULD BE RESTORED. IF THE GFCI FAILS TO OPERATE IN THIS MANNER, THE GFCI IS DEFECTIVE.



IMPORTANT SAFETY INSTRUCTIONS

THIS FOUNTAIN HAS A POLARIZED PLUG (ONE BLADE IS WIDER THAN THE OTHER) AS A FEATURE TO REDUCE THE RISK OF ELECTRIC SHOCK. THIS PLUG WILL FIT IN A POLARIZED OUTLET ONLY ONE WAY. IF THE PLUG DOES NOT FIT FULLY IN THE OUTLET, REVERSE THE PLUG. IF IT STILL DOES NOT FIT, CONTACT A QUALIFIED ELECTRICIAN. NEVER USE WITH AN EXTENSION CORD UNLESS PLUG CAN BE FULLY INSERTED. DO NOT ALTER THE PLUG.