

MODEL: 50366

ASSEMBLY INSTRUCTIONS

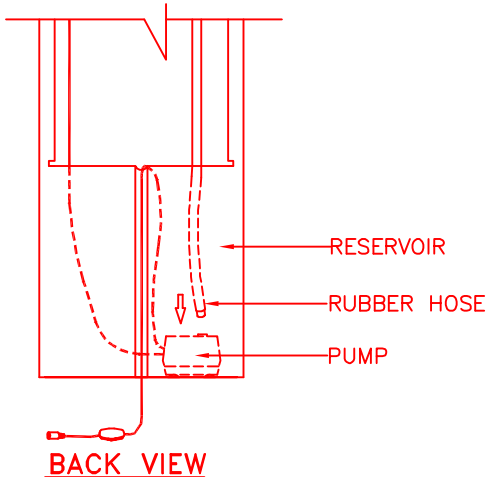
READ AND SAVE THESE INSTRUCTIONS

UNPACK THE FOUNTAIN

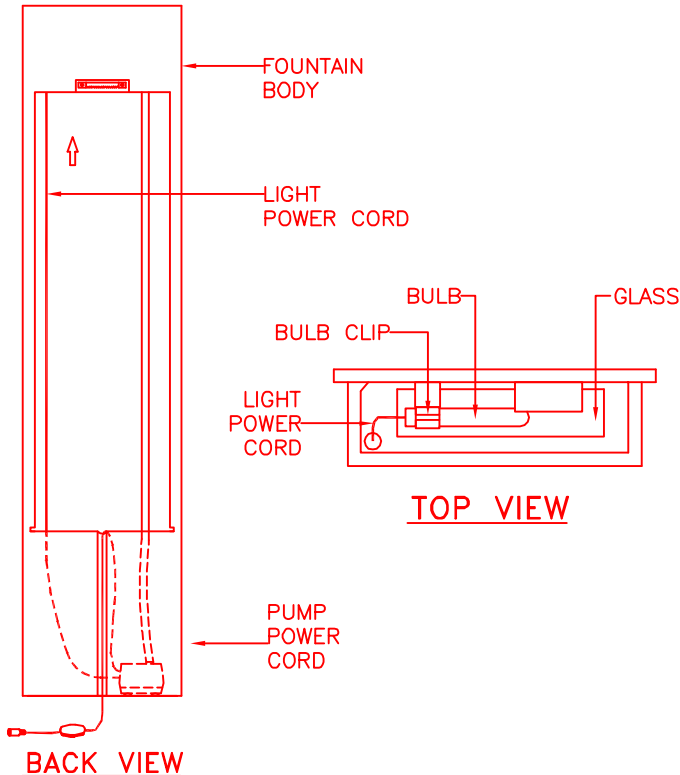
YOU SHOULD HAVE RECEIVED THE FOLLOWING PARTS IN THE PACKAGE: UPPER LID, FOUNTAIN BODY, (4) SUBMERSIBLE HALOGEN BULBS, TRANSFORMER, SUBMERSIBLE PUMP AND LOWER LID. TO PROTECT THE FINISH, PLACE ALL PARTS ON A SOFT SURFACE.

FOUNTAIN ASSEMBLY

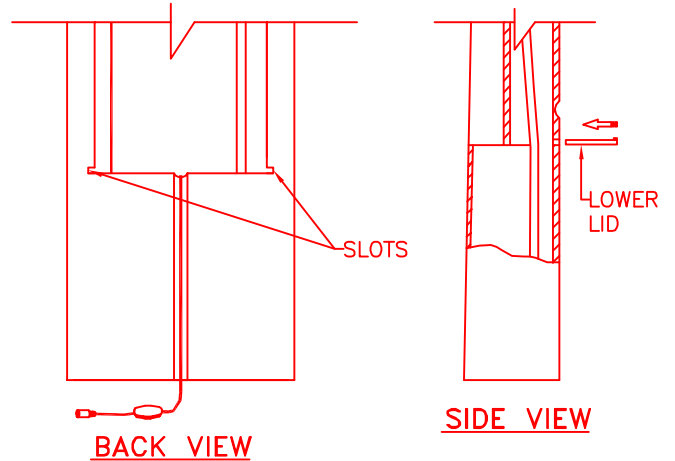
1. ATTACH RUBBER HOSE TO PUMP AND PLACE PUMP FLAT IN RESERVOIR.



2. FEED LIGHT POWER CORD UP THROUGH HOLE IN BACK OF FOUNTAIN BODY AND WORKING UPWARDS TOWARD TOP OF FOUNTAIN. THEN SLIDE BULB UNDER BULB COVER AND SECURE IN BULB CLIP. (FREE REPLACEMENT BULBS INCLUDED)



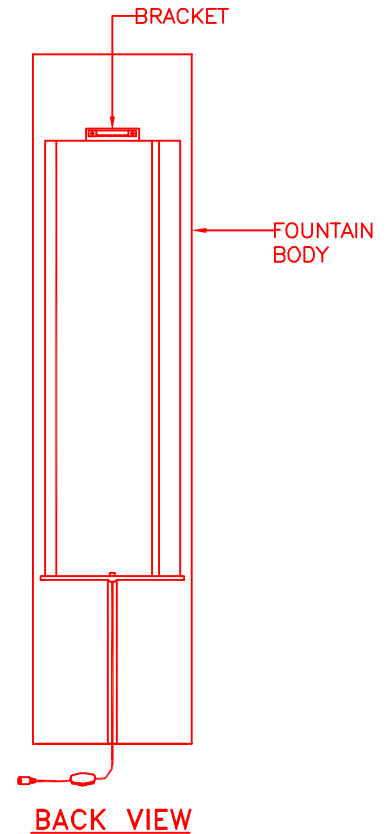
3. SLIDE THE LOWER LID INTO THE SLOTS ON BACK OF FOUNTAIN BODY.



FOR TABLE APPLICATIONS: SKIP TO STEP #7.

FOR WALL MOUNTED APPLICATIONS:

4. LOCATE DESIRED POSITION ON WALL.
5. INSTALL WALL ANCHOR IN WALL AND HANG FOUNTAIN BODY SECURELY ON BRACKET. (HARDWARE NOT INCLUDED. CONTACT YOUR LOCAL HARDWARE PROFESSIONAL TO CHOOSE AN ATTACHMENT MECHANISM APPROPRIATE FOR YOUR WALL)



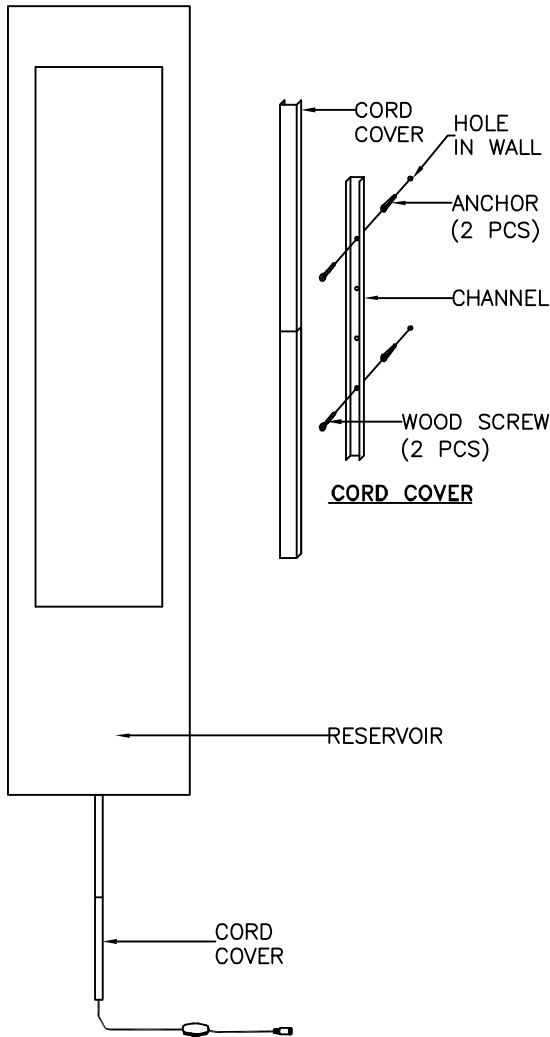
MODEL: 50366

ASSEMBLY INSTRUCTIONS

READ AND SAVE THESE INSTRUCTIONS

FOUNTAIN ASSEMBLY

6. TO INSTALL CORD COVER, MOUNT CHANNEL ON THE WALL WITH WOOD SCREWS AND ANCHORS. PLACE CORD INSIDE CHANNEL AND PRESS CORD COVER SECURELY ONTO CHANNEL.

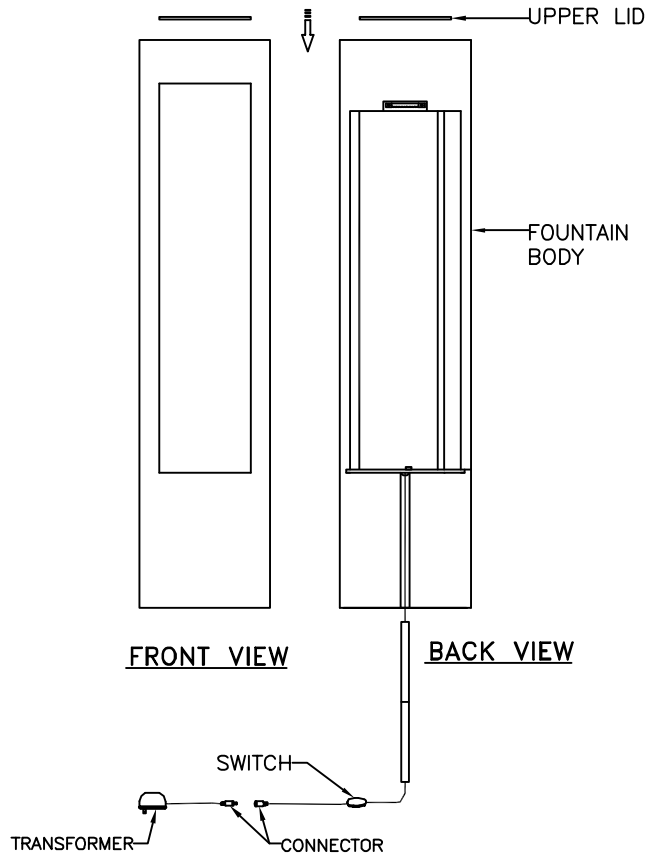


7. FILL RESERVOIR WITH ENOUGH WATER TO COMPLETELY SUBMERSE PUMP. (DISTILLED WATER IS RECOMMENDED TO REDUCE MINERAL DEPOSITS AND BACTERIA BUILD-UP.)

* RESERVOIR HOLDS 0.23 GALLON OF WATER.

8. PLACE THE UPPER LID ON TOP OF FOUNTAIN BODY, THEN JOIN THE POWER CORD CONNECTORS TOGETHER.

9. PLUG THE TRANSFORMER INTO SOCKET AND TURN ON AT SWITCH, YOUR NEW FOUNTAIN IS READY TO USE.



TROUBLE SHOOTING:

1. IF YOUR FOUNTAIN DOES NOT WORK, CHECK PLUG AT THE SOCKET. MAKE SURE THE PLUG IS FULLY AND PROPERLY INSERTED INTO THE WALL OUTLET.
2. NEXT CHECK TO MAKE SURE THE OUTLET IS POWERED.
3. IF THE FOUNTAIN STILL DOES NOT WORK, PLEASE CONTACT YOUR DISTRIBUTOR OR PLACE OF PURCHASE.

SPLASHING DISCLAIMER:

SPLASHING MAY OCCUR WHEN FOUNTAIN IS INITIALLY TURNED ON. PROTECT SURROUNDING SURFACES AS NEEDED.

IMPORTANT PUMP INFORMATION:

PUMP MUST BE FULLY SUBMERSED IN WATER WHILE OPERATING.

WATER:

TO REDUCE MINERAL DEPOSITS AND BACTERIA BUILD UP THE USE OF DISTILLED WATER IS RECOMMENDED.

IMPORTANT SAFETY INSTRUCTIONS:

THIS FOUNTAIN IS RATED FOR INDOOR USE ONLY.

WARNING:

*ONCE A WEEK INSPECT FOUNTAIN, FLOOR AND ADJACENT WALL FOR MOISTURE BUILD-UP AND CLEAN AS NECESSARY. THIS IS ESPECIALLY IMPORTANT FOR HUMID ENVIRONMENTS.

**THIS UNIT MUST BE CONNECTED TO A SUPPLY CIRCUIT THAT IS PROTECTED BY A GROUND FAULT CIRCUIT INTERRUPTER (GFCI). THE GFCI SHOULD BE TESTED ON A ROUTINE BASIS. TO TEST THE GFCI, PUSH THE TEST BUTTON. THE GFCI SHOULD INTERRUPT POWER. PUSH THE RESET BUTTON. POWER SHOULD BE RESTORED. IF THE GFCI FAILS TO OPERATE IN THIS MANNER, THE GFCI IS DEFECTIVE.