

MODEL: 50273

ASSEMBLY INSTRUCTIONS

READ AND SAVE THESE INSTRUCTIONS

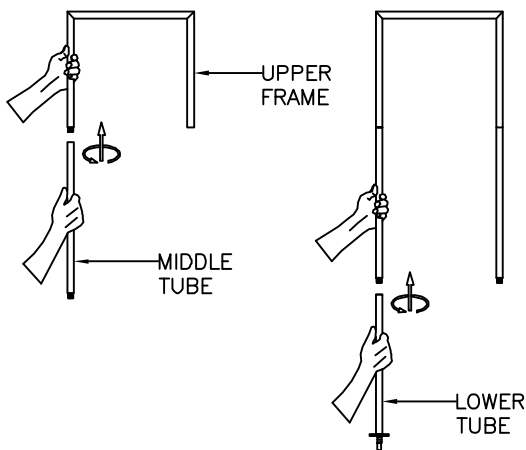
UNPACK THE FOUNTAIN

YOU SHOULD HAVE RECEIVED THE FOLLOWING PARTS:
LIGHT ASSEMBLY WITH (2) SCREWS, UPPER FRAME, (2) UPPER TUBES, (2) LOWER TUBES, (3) PANELS, (2) WASHERS, (2) LARGE NUTS, LID, (6) FLAT SCREWS, (6) NUTS, SPLASHGUARD, RESERVIOR, (6) SUPPORT TUBES, (3) HALOGEN BULBS, TRANSFORMER, SUBMERSIBLE PUMP, RUBBER HOSE AND A BAG OF RIVER STONES.

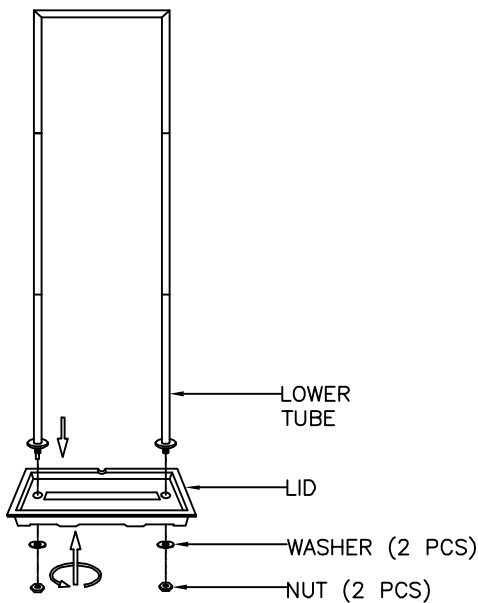
TOOLS NEEDED (NOT SUPPLIED):
ADJUSTABLE WRENCH AND SCREWDRILLER.

FOUNTAIN ASSEMBLY

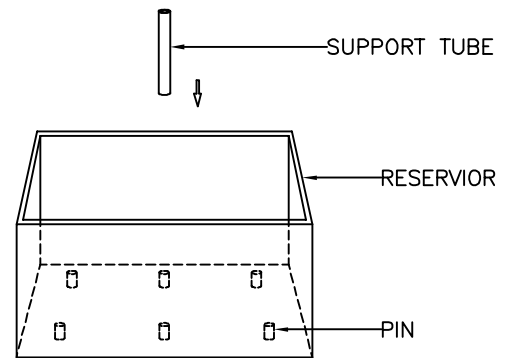
1. JOIN FRAME AND TUBES TOGETHER STARTING WITH TO TOP U FRAME AND WORKING DOWN.



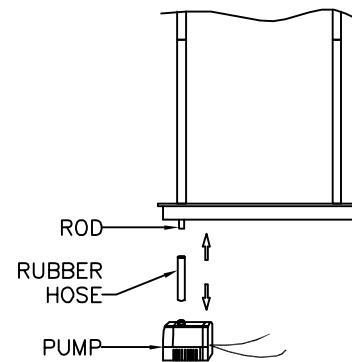
2. INSERT LOWER TUBES THROUGH LID THEN SECURE WITH (2) WASHERS AND (2) NUTS.



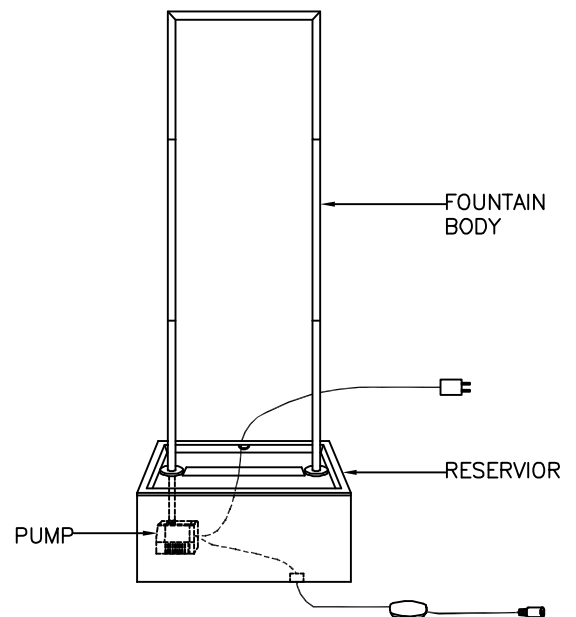
3. SLIDE A SUPPORT TUBE OVER EACH PIN IN RESERVIOR.



4. ATTACH RUBBER HOSE TO PUMP AND ATTACH THE RUBBER HOSE TO ROD.



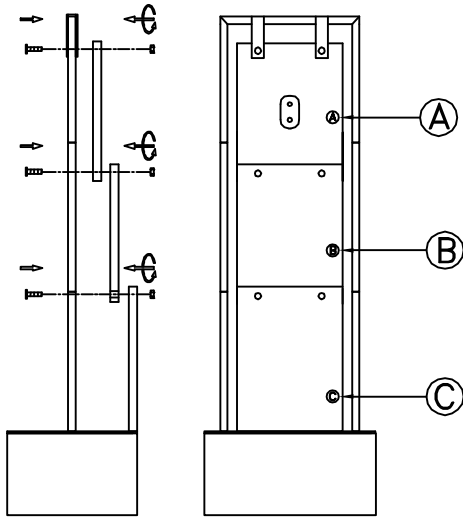
5. PLACE FOUNTAIN BODY ONTO THE RESERVIOR. (MAKING SURE PUMP SITS FLAT IN RESERVIOR)



MODEL: 50273

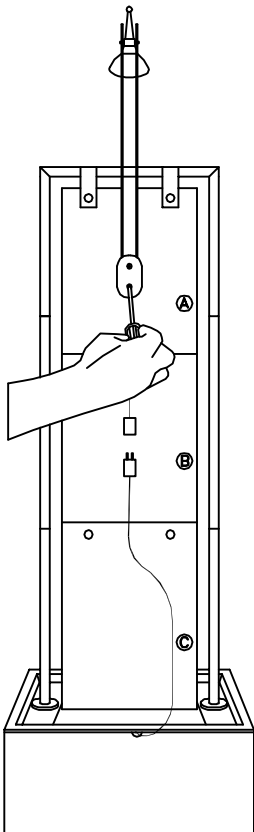
ASSEMBLY INSTRUCTIONS

6. ATTACH PANELS TO CLIPS ON FRAME.
(MAKING SURE TO ATTACH THE PANELS IN THE CORRECT ORDER AS LABELED)



SIDE VIEW: BACK VIEW:

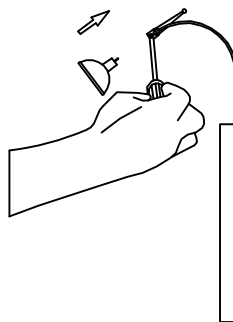
7. ATTACH LIGHT ASSEMBLY TO TOP PANEL WITH
(2) SCREWS, THEN INSTALL A MR-16 BULB.
(FREE REPLACEMENT BULBS INCLUDED)



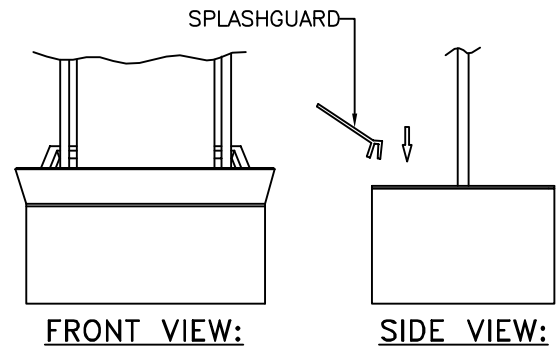
BACK VIEW:

INSTALL BULB:

LOOSEN (2) SMALL SCREWS
IN SOCKET TO REMOVE BULB.



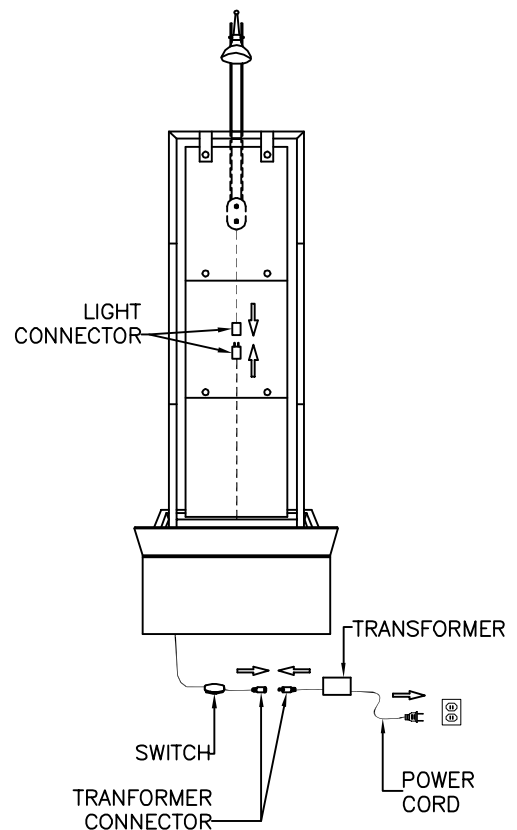
8. ATTACH SPLASHGUARD ONTO LID.



9. PLACE DECORATIVE STONES ONTO LID.

10. FILL RESERVOIR WITH ENOUGH WATER
TO COMPLETELY SUBMERSE PUMP. (DISTILLED
WATER IS RECOMMENDED TO REDUCE MINERAL
DEPOSITS AND BACTERIA BUILD-UP.)

11. JOIN THE CONNECTORS TOGETHER.



12. PLUG THE POWER CORD INTO SOCKET
AND TURN ON AT SWITCH, YOUR FOUNTAIN IS
READY TO USE.

MODEL: 50273

ASSEMBLY INSTRUCTIONS

TROUBLE SHOOTING

1. IF YOUR FOUNTAIN DOES NOT WORK, CHECK PLUG AT THE SOCKET. MAKE SURE THE PLUG IS FULLY AND PROPERLY INSERTED INTO THE WALL OUTLET.
2. NEXT CHECK TO MAKE SURE THE OUTLET IS POWERED.
3. IF THE FOUNTAIN STILL DOES NOT WORK, PLEASE CONTACT YOUR DISTRIBUTOR OR PLACE OF PURCHASE.

SPLASHING DISCLAIMER

SPLASHING MAY OCCUR WHEN FOUNTAIN IS INITIALLY TURNED ON. PROTECT SURROUNDING SURFACES AS NEEDED.

IMPORTANT PUMP INFORMATION

PUMP MUST BE FULLY SUBMERSED IN WATER WHILE OPERATING.

WATER

* TO REDUCE MINERAL DEPOSITS AND BACTERIA BUILD UP, THE USE OF DISTILLED WATER IS RECOMMENDED.

IMPORTANT SAFETY INSTRUCTIONS

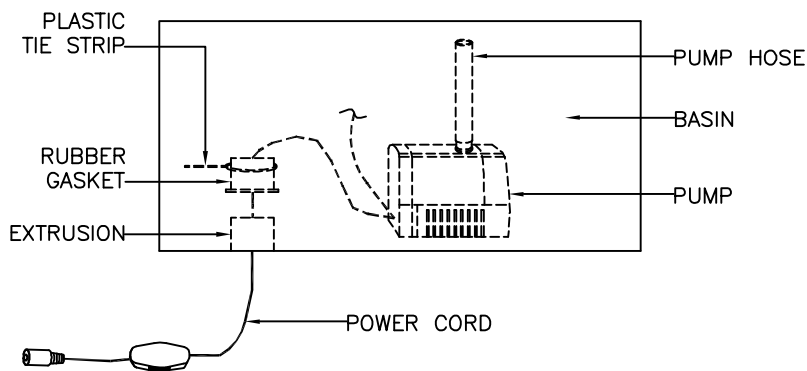
THIS FOUNTAIN HAS A POLARIZED PLUG (ONE BLADE IS WIDER THAN THE OTHER) AS A FEATURE TO REDUCE THE RISK OF ELECTRIC SHOCK. THIS PLUG WILL FIT IN A POLARIZED OUTLET ONLY ONE WAY. IF THE PLUG DOES NOT FIT FULLY IN THE OUTLET, REVERSE THE PLUG. IF IT STILL DOES NOT FIT, CONTACT A QUALIFIED ELECTRICIAN. NEVER USE WITH AN EXTENSION CORD UNLESS PLUG CAN BE FULLY INSERTED. DO NOT ALTER THE PLUG.

WARNING

* THIS FOUNTAIN IS RATED FOR INDOOR USE ONLY.

** ONCE A WEEK INSPECT FOUNTAIN, FLOOR AND ADJACENT WALL FOR MOISTURE BUILD-UP AND CLEAN AS NECESSARY. THIS IS ESPECIALLY IMPORTANT FOR HUMID ENVIRONMENTS.

*** THIS UNIT MUST BE CONNECTED TO A SUPPLY CIRCUIT THAT IS PROTECTED BY A GROUND FAULT CIRCUIT INTERRUPTER (GFCI). THE GFCI SHOULD BE TESTED ON A ROUTINE BASIS. TO TEST THE GFCI, PUSH THE TEST BUTTON. THE GFCI SHOULD INTERRUPT POWER. PUSH THE RESET BUTTON. POWER SHOULD BE RESTORED. IF THE GFCI FAILS TO OPERATE IN THIS MANNER, THE GFCI IS DEFECTIVE.



PUMP REPLACEMENT:

1. UNPLUG THE FOUNTAIN.
2. DISASSEMBLE THE FOUNTAIN AS NECESSARY TO EXPOSE BASIN.
3. REMOVE ALL WATER FROM BASIN.
4. SNIP THE PLASTIC TIE STRIP.
5. PEEL BACK RUBBER GASKET FROM EXTRUSION.
6. PULL OLD PUMP FROM FOUNTAIN.
7. THREAD CORD FOR NEW PUMP THROUGH EXTRUSION AS SHOWN.
8. PLACE RUBBER GASKET OVER EXTRUSION AND SECURE BY TIGHTENING A NEW PLASTIC TIE STRIP (INCLUDED).
9. REASSEMBLE THE FOUNTAIN WITH NEW PUMP.