

MODEL: 50130

ASSEMBLY INSTRUCTIONS

READ AND SAVE THESE INSTRUCTIONS

UNPACK THE FOUNTAIN

TO PROTECT THE FINISH, PLACE ALL PARTS ON A SOFT SURFACE. YOU SHOULD HAVE RECEIVED THE FOLLOWING: LIGHT ASSEMBLY, (2) SCREWS, BASE, (3) MR-11 BULBS, (2) CORD COVERS, CHANNEL, (2) PLASTIC ANCHORS, (2) WOOD SCREWS, PUMP, TRANSFORMER, PUMP TUBING.

FOUNTAIN ASSEMBLY

1. ATTACH LIGHT ASSEMBLY TO BACK PANEL OF FOUNTAIN USING (2) SCREWS PROVIDED.
2. ATTACH LIGHT BULB TO LIGHT ASSEMBLY AND SECURE WITH PIN SCREWS. (NOTE: THREE MR-11 BULBS ARE INCLUDED WITH THIS ITEM. PLEASE RETAIN THE OTHER TWO BULBS FOR REPLACEMENT AS NEEDED).
3. JOIN THE LIGHT CONNECTORS TOGETHER.

FOR TABLE TOP APPLICATIONS: SKIP TO STEP #7.

FOR WALL MOUNTED APPLICATIONS:

4. IT IS RECOMMENDED TO CONTACT YOUR LOCAL HARDWARE PROFESSIONAL TO SELECT THE MOST APPROPRIATE TYPE OF SCREWS AND ANCHORS FOR YOUR PARTICULAR WALL. FOR MOST SECURE INSTALLATION IT IS RECOMMENDED TO MOUNT THE FOUNTAIN DIRECTLY INTO A WALL STUD.
5. MOUNT FOUNTAIN TO WALL.
6. TO INSTALL CORD COVER, MOUNT CHANNEL ONTO THE WALL WITH WOOD SCREWS AND ANCHORS. (SEE DIAGRAM AT LEFT) PLACE THE CORD BEHIND THE CORD COVER, AND PRESS ONTO CHANNEL.
7. FILL RESERVOIR WITH ENOUGH WATER TO COMPLETELY SUBMERSE PUMP. (DISTILLED WATER IS RECOMMENDED BY US IN THE FOUNTAIN TO REDUCE MINERAL DEPOSITS AND BACTERIA BUILD UP.)
8. JOIN THE TRANSFORMER CONNECTORS TOGETHER AND PLUG THE TRANSFORMER INTO SOCKET.
9. TURN ON AT SWITCH, YOUR FOUNTAIN IS READY TO USE.

TROUBLE SHOOTING:

1. IF YOUR FOUNTAIN DOES NOT WORK, CHECK PLUG AT THE SOCKET. MAKE SURE THE PLUG IS FULLY AND PROPERLY INSERTED INTO THE WALL OUTLET.
2. NEXT CHECK TO MAKE SURE THE OUTLET IS POWERED.
3. IF THE FOUNTAIN STILL DOES NOT WORK, PLEASE CONTACT YOUR DISTRIBUTOR OR PLACE OF PURCHASE.

SPLASHING DISCLAIMER:

SPLASHING MAY OCCUR WHEN FOUNTAIN IS INITIALLY TURNED ON. PROTECT SURROUNDING SURFACES AS NEEDED.

IMPORTANT PUMP INFORMATION:

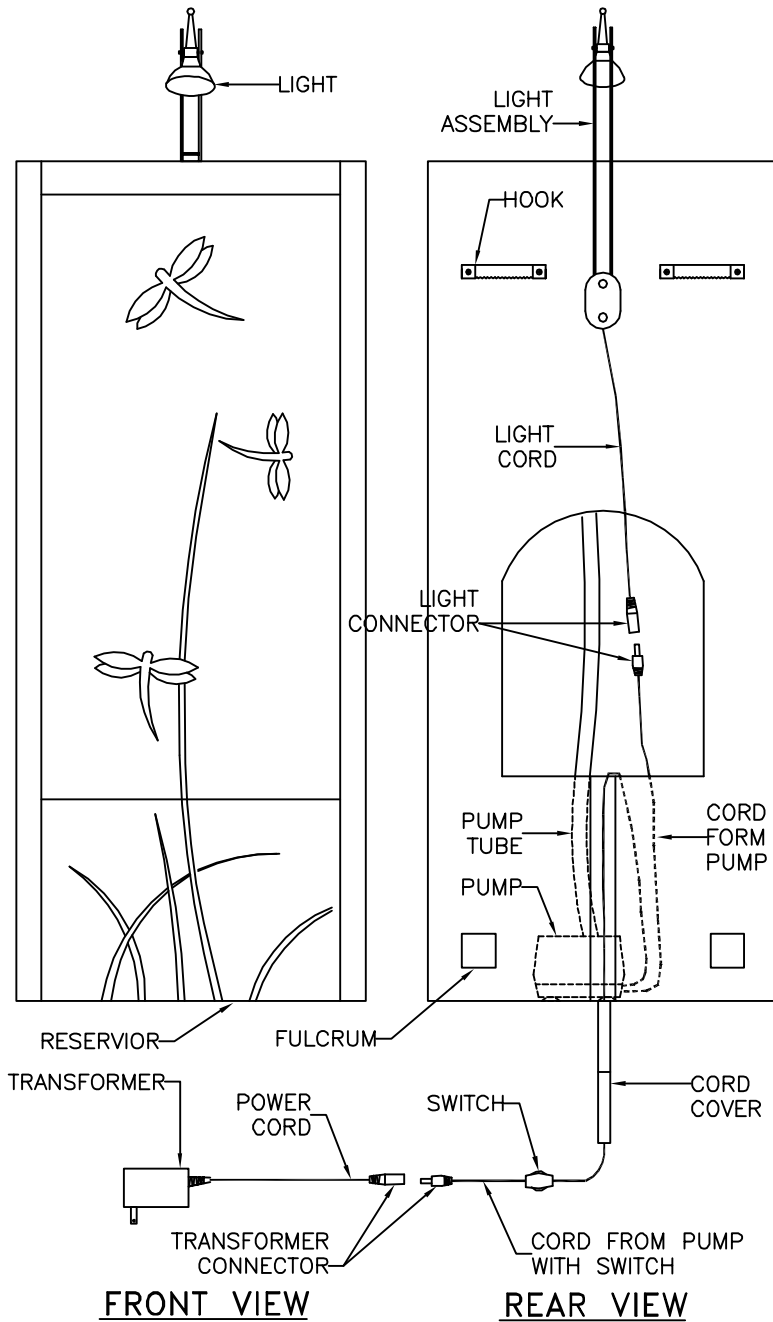
PUMP MUST BE FULLY SUBMERSED IN WATER WHILE OPERATING.

WATER:

TO REDUCE MINERAL DEPOSITS AND BACTERIA BUILD UP THE USE OF DISTILLED WATER IS RECOMMENDED.

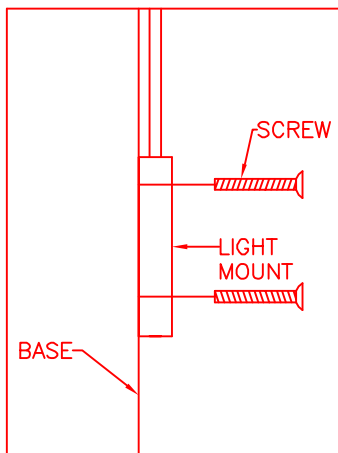
WARNING:

*THIS FOUNTAIN IS RATED FOR INDOOR USE ONLY.
**ONCE A WEEK INSPECT FOUNTAIN, FLOOR AND ADJACENT WALL FOR MOISTURE BUILD-UP AND CLEAN AS NECESSARY. THIS IS ESPECIALLY IMPORTANT FOR HUMID ENVIRONMENTS.
***THIS UNIT MUST BE CONNECTED TO A SUPPLY CIRCUIT THAT IS PROTECTED BY A GROUND FAULT CIRCUIT INTERRUPTER (GFCI). THE GFCI SHOULD BE TESTED ON A ROUTINE BASIS. TO TEST THE GFCI, PUSH THE TEST BUTTON. THE GFCI SHOULD INTERRUPT POWER. PUSH THE RESET BUTTON. POWER SHOULD BE RESTORED. IF THE GFCI FAILS TO OPERATE IN THIS MANNER, THE GFCI IS DEFECTIVE.

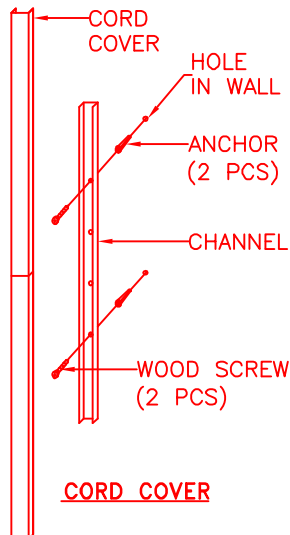


FRONT VIEW

REAR VIEW



MOUNT THE LIGHT



CORD COVER