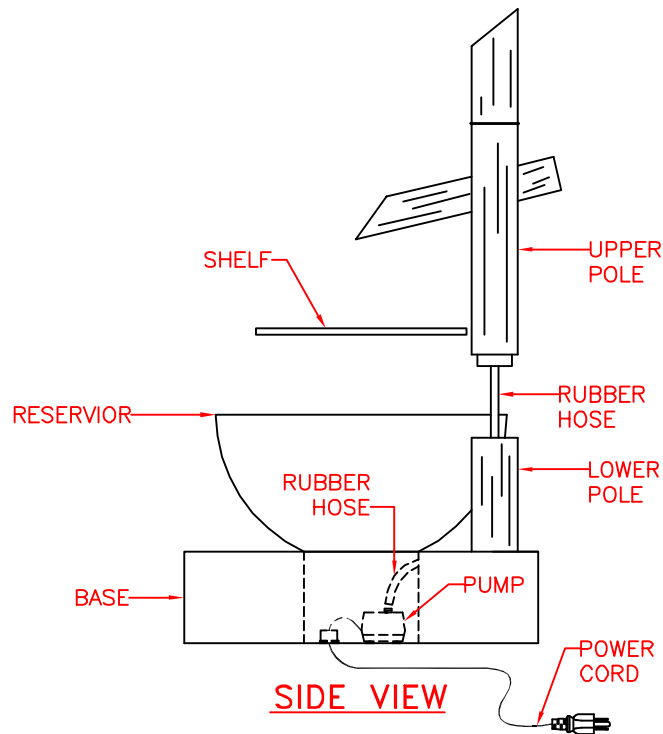


FRONT VIEW



SIDE VIEW

MODEL: 50106

ASSEMBLY INSTRUCTIONS

READ AND SAVE THESE INSTRUCTIONS

UNPACK THE FOUNTAIN

YOU SHOULD HAVE RECEIVED THE FOLLOWING PARTS IN THE PACKAGE: (3) BAMBOO POLES, DECORATIVE STONES, SHELF, PUMP AND BASE ASSEMBLY. TO PROTECT THE FINISH, PLACE ALL PARTS ON A SOFT SURFACE.

FOUNTAIN ASSEMBLY

1. FEED RUBBER HOSE DOWN THROUGH HOLE IN RIGHT LOWER POLE AND WORKING PUMP.
2. PLACE PUMP FLAT IN RESERVIOR AND ATTACH RUBBER HOSE TO PUMP.
3. ATTACH THE CENTER POLE TO THE RIGHT POLE AS SHOWN.
4. JOIN THE UPPER AND LOWER POLES TOGETHER AS SHOWN.
5. PLACE THE SHELF INTO RESERVIOR AND PLACE THE DECORATIVE STONES ON SHELF.
6. FILL RESERVIOR WITH ENOUGH WATER TO COMPLETELY SUBMERSE PUMP. (DISTILLED WATER IS RECOMMENDED BY US TO REDUCE MINERAL DEPOSITS AND BACTERIA BUILD UP.)
7. PLUG THE POWER CORD INTO SOCKET, YOUR FOUNTAIN IS READY TO USE.

TROUBLE SHOOTING:

1. IF YOUR FOUNTAIN DOES NOT WORK, CHECK PLUG AT THE SOCKET. MAKE SURE THE PLUG IS FULLY AND PROPERLY INSERTED INTO THE WALL OUTLET.
2. NEXT CHECK TO MAKE SURE THE OUTLET IS POWERED.
3. IF THE FOUNTAIN STILL DOES NOT WORK, PLEASE CONTACT YOUR DISTRIBUTOR OR PLACE OF PURCHASE.

SPLASHING DISCLAIMER:

SPLASHING MAY OCCUR WHEN FOUNTAIN IS INITIALLY TURNED ON. PROTECT SURROUNDING SURFACES AS NEEDED.

IMPORTANT PUMP INFORMATION:

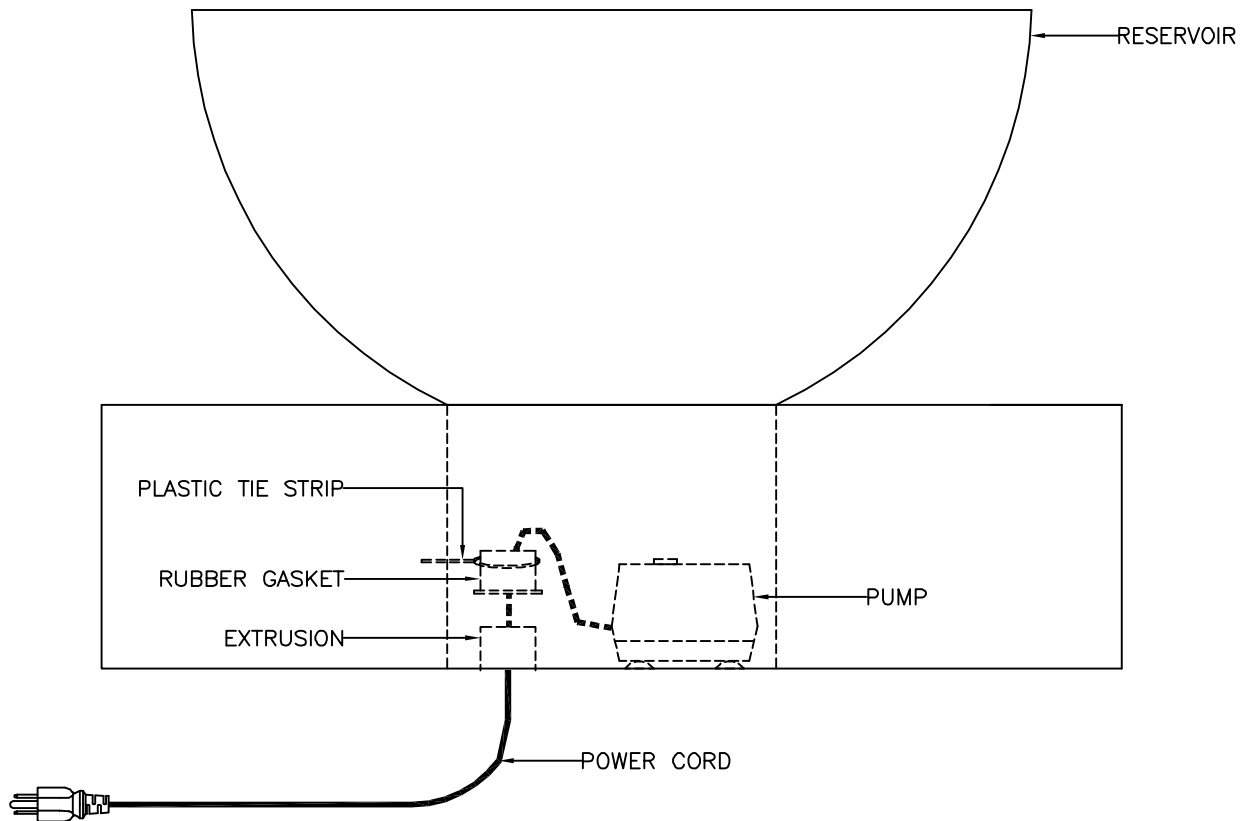
PUMP MUST BE FULLY SUBMERSED IN WATER WHILE OPERATING. PLEASE SEE NEXT PAGE FOR PUMP REPLACEMENT.

WATER:

TO REDUCE MINERAL DEPOSITS AND BACTERIA BUILD UP THE USE OF DISTILLED WATER IS RECOMMENDED.

WARNING:

ONCE A WEEK INSPECT FOUNTAIN, FLOOR AND ADJACENT WALL FOR MOISTURE BUILD-UP AND CLEAN AS NECESSARY. THIS IS ESPECIALLY IMPORTANT FOR HUMID ENVIRONMENTS.



PUMP REPLACEMENT:

1. UNPLUG THE FOUNTAIN.
2. DISASSEMBLE THE FOUNTAIN AS NECESSARY TO EXPOSE RESERVOIR.
3. REMOVE ALL WATER FROM RESERVOIR.
4. SNIP THE PLASTIC TIE STRIP.
5. PEEL BACK RUBBER GASKET FROM EXTRUSION.
6. PULL OLD PUMP FROM FOUNTAIN.
7. THREAD CORD FOR NEW PUMP THROUGH EXTRUSION AS SHOWN.
8. PLACE RUBBER GASKET OVER EXTRUSION AND SECURE BY TIGHTENING A NEW PLASTIC TIE STRIP (INCLUDED).
9. REASSEMBLE THE FOUNTAIN WITH NEW PUMP.